

Manufacturing Processes (2), IE-352
Ahmed M El-Sherbeeney, PhD
Fall-2015

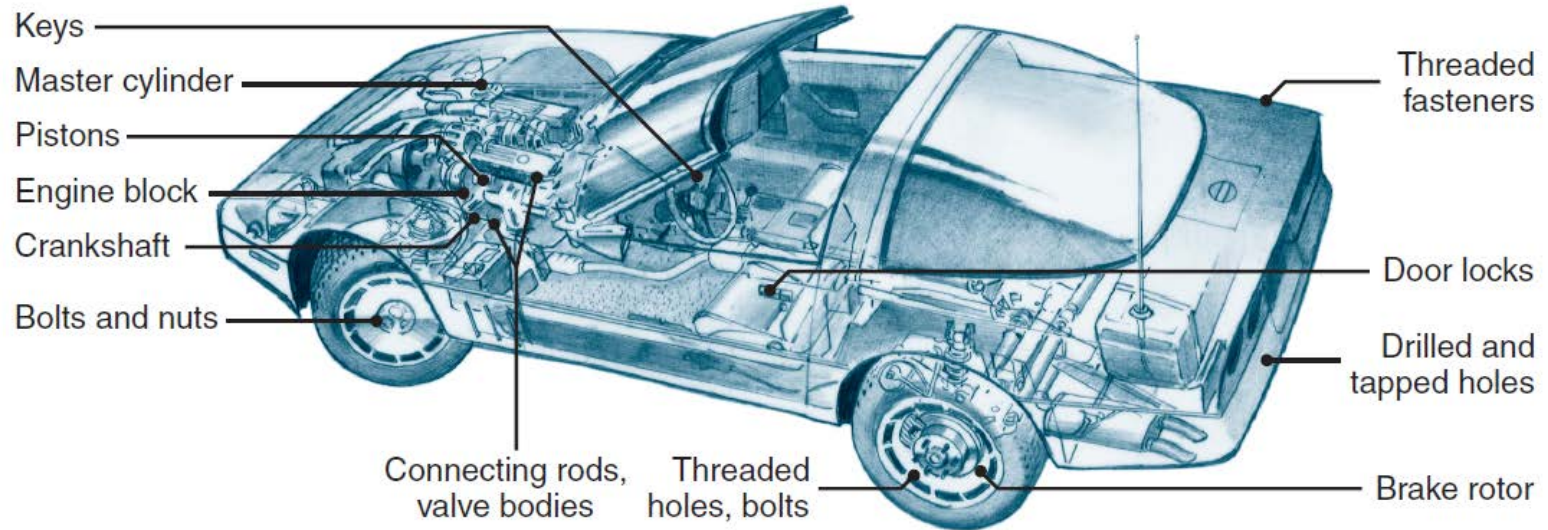
Manufacturing Engineering Technology in SI Units, 6th Edition
PART IV:
Machining Processes and Machine Tools

PART IV:

Machining Processes and Machine Tools

3

- **Machining** is the *removal* of material and *modification* of the surfaces of a workpiece
- Machining involves *secondary* and *finishing* operations



PART IV:

Machining Processes and Machine Tools

4

- Major types of material removal processes:
 1. **Cutting**
 2. **Abrasive processes**
 3. **Advanced machining processes**

- Machining operations is a *system* consisting of the
 1. *Workpiece*
 2. *Cutting tool*
 3. *Machine tool*
 4. *Production personnel*

Manufacturing Engineering Technology in SI Units, 6th Edition
Chapter 21: Fundamentals of Machining

Chapter Outline

6

1. Introduction
2. Mechanics of Cutting
3. Cutting Forces and Power
4. Temperatures in Cutting
5. Tool Life: Wear and Failure
6. Surface Finish and Integrity
7. Machinability

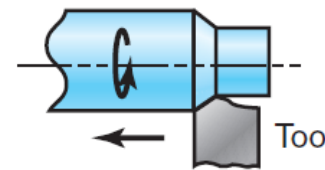
Introduction

7

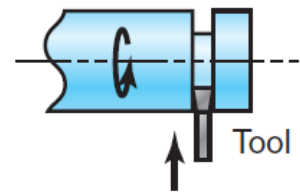
□ Cutting processes remove material from the surface of a workpiece by producing **chips**

□ Common cutting processes:

1. **Turning** (workpiece rotates; tool moves left, removes layer of material)



(a) Straight turning

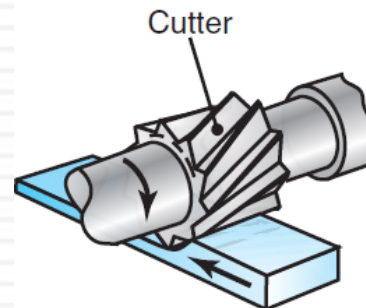


(b) Cutting off

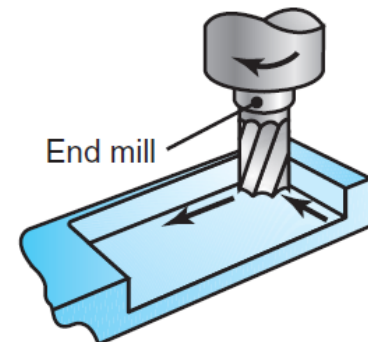
2. **Cutting off** (cutting tool moves radially inward)

3. **Slab milling**

(rotating cutting tool removes material from workpiece)



(c) Slab milling



(d) End milling

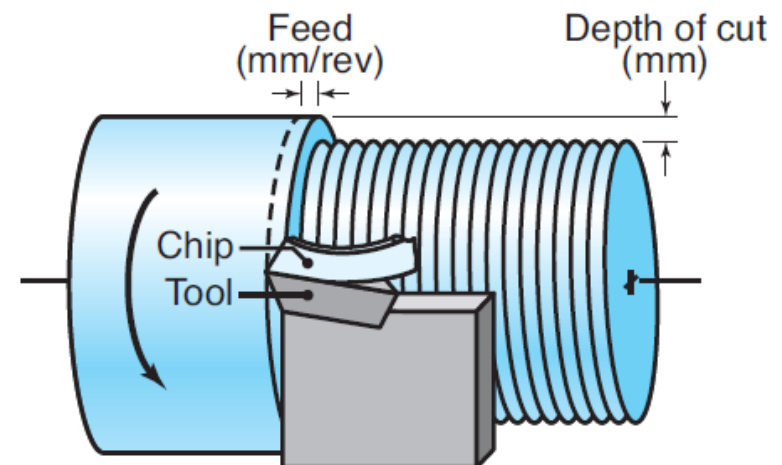
4. **End milling** (rotating cutter; produces cavity)



Introduction

8

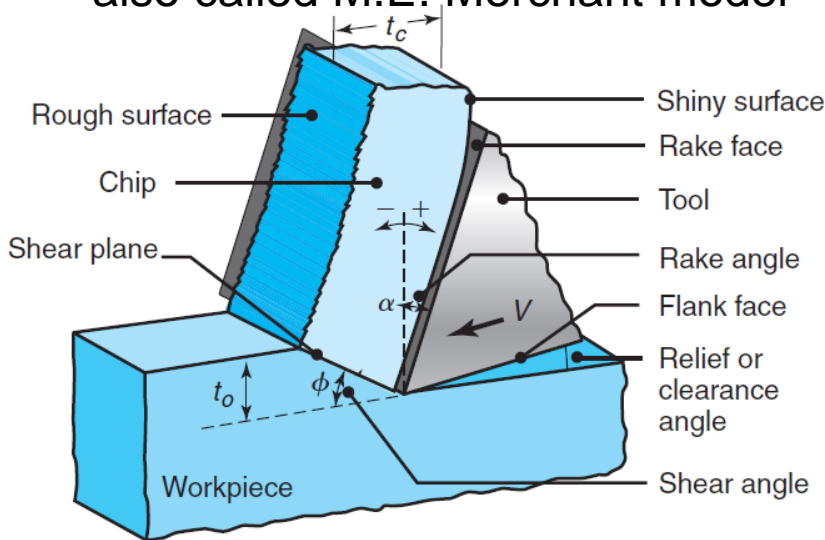
- In the **turning process**, the cutting tool is set at a certain *depth of cut* [mm] and travels to the left (with a certain velocity) as the workpiece rotates
- *Feed*, or *feed rate*, is the distance the tool travels horizontally per unit revolution of the workpiece [mm/rev]
 - This tool movement produces chips, which move up the face of the tool



Introduction

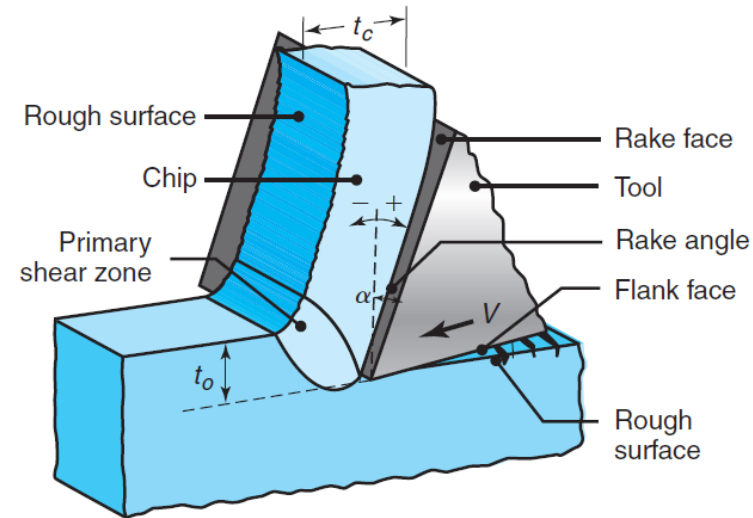
- In idealized model, a cutting tool moves to the left along the workpiece at a constant velocity, V , and a depth of cut, t_o
- Chip thickness, t_c

Idealized model; Orthogonal; 2-D cutting with a well-defined shear plane; also called M.E. Merchant model



(a)

Orthogonal (2-D) cutting without a well-defined shear plane: “shear zone”; why rough surface?



(b)

Mechanics of Cutting

10

Factors Influencing Machining Operations

Parameter	Influence and interrelationship
Cutting speed, depth of cut, feed, cutting fluids	Forces, power, temperature rise, tool life, type of chip, surface finish and integrity
Tool angles	As above; influence on chip flow direction; resistance to tool wear and chipping
Continuous chip	Good surface finish; steady cutting forces; undesirable, especially in automated machinery
Built-up edge chip	Poor surface finish and integrity; if thin and stable, edge can protect tool surfaces
Discontinuous chip	Desirable for ease of chip disposal; fluctuating cutting forces; can affect surface finish and cause vibration and chatter
Temperature rise	Influences tool life, particularly crater wear and dimensional accuracy of workpiece; may cause thermal damage to workpiece surface
Tool wear	Influences surface finish and integrity, dimensional accuracy, temperature rise, forces and power
Machinability	Related to tool life, surface finish, forces and power, and type of chip



Mechanics of Cutting

11

- Major *independent variables* in the cutting process:
 1. Tool material and coatings
 2. Tool shape, surface finish, and sharpness
 3. Workpiece material and condition
 4. Cutting speed, feed, and depth of cut
 5. Cutting fluids
 6. Characteristics of the machine tool
 7. Work holding and fixturing

Mechanics of Cutting

12

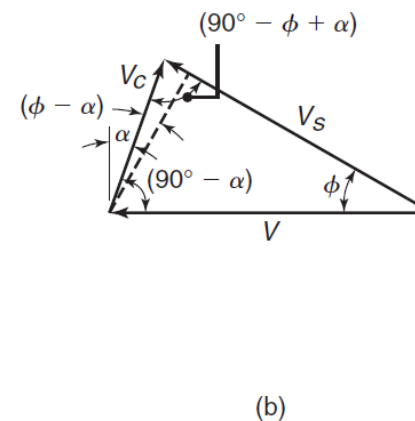
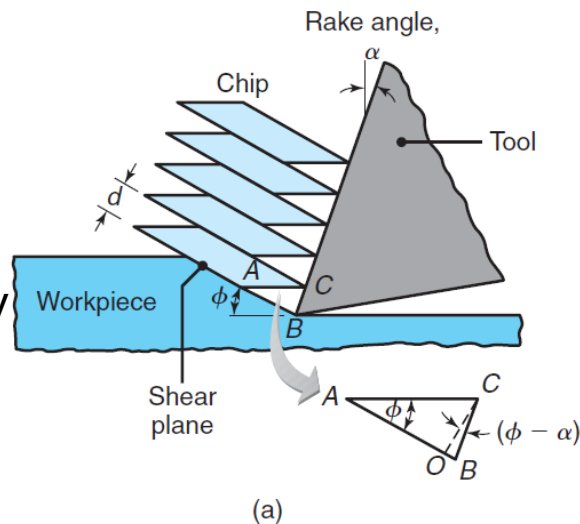
- *Dependent variables* in cutting (influenced by changes in independent variables):
 1. Type of chip produced (studied since early 1940's)
 2. Force and energy dissipated during cutting
 3. Temperature rise in the workpiece, the tool and the chip
 4. Tool wear and failure
 5. Surface finish and surface integrity of the workpiece

Mechanics of Cutting

13

- Merchant model is known as **orthogonal cutting (?)**
- It is two dimensional and the forces involved are perpendicular to each other
- Cutting tool has a **rake angle (α)** and a **relief or clearance angle**
- Shearing takes place in a **shear zone** at **shear angle (ϕ)**

Basic mechanism of chip formation by shearing



Velocity diagram showing angular relationship among 3 speeds in cutting zone:

V : cutting speed

V_s : shearing speed

V_c : chip velocity

Mechanics of Cutting

14

- Imagine shearing: “deck of cards” sliding along each other
- Below shear plane, workpiece: undeformed
- Above shear plane: chip moves up rake face (tool)
- Dimension d (distance between shear planes, OC)
 - highly exaggerated to show mechanism
 - It is only in order of 10^{-2} to 10^{-3} mm
- Some materials shear in a zone (not plane: [slide 9](#))
 - e.g. cast iron
 - this leads to surface defects in workpiece

Mechanics of Cutting

15

Cutting Ratio (or chip-thickness ratio, r)

- The ratio is related to the two angles
 - ▣ *shear angle, ϕ*
 - ▣ *rake angle, α*

$$\tan \phi = \frac{r \cos \alpha}{1 - r \sin \alpha} \Rightarrow r = \frac{t_0}{t_c} = \frac{\sin \phi}{\cos(\phi - \alpha)}$$

- Chip thickness t_c is always $>$ than the depth of cut, t_0
 - ▣ \Rightarrow the value of r is always less than unity (i.e. <1)
- Reciprocal of r (i.e. $1/r$) is known as the *chip-compression ratio* or *chip-compression factor*
 - ▣ It's a measure of how thick the chip has become
 - ▣ Always > 1

Mechanics of Cutting

16

Making use of cutting ratio in evaluating cutting conditions:

- depth of cut, t_o : machine setting (i.e. indep. variable)
- chip thickness, t_c can be measured using micrometer
- cutting ratio, r can then easily be calculated
- rake angle, α is also known for cutting operation
 - It is function of tool and workpiece geometry
- Cutting ratio and rake angle can be used to find shear angle, ϕ (equation in [previous slide](#))

Mechanics of Cutting

17

Shear Strain

- The **shear strain** (i.e. deformation relative to original size) that the material undergoes can be expressed as

$$\gamma = \frac{AB}{OC} = \frac{AO}{OC} + \frac{OB}{OC} \Rightarrow \gamma = \cot \phi + \tan(\phi - \alpha)$$

- Large shear strains (≥ 5) are associated with low shear angles or with low or negative rake angles
- Based on the assumption that the shear angle adjusts itself to minimize the cutting force,

$$\phi = 45^\circ + \frac{\alpha}{2} - \frac{\beta}{2}$$

$$\phi = 45^\circ + \alpha - \beta$$

β = **friction angle**, related to μ :

$\mu = \tan \beta \rightarrow$ *coefficient of –dynamic – friction*

μ usually: 0.5 – 2

Note, first form is more generally used

Mechanics of Cutting

18

- Chip encounters friction as it moves up the rake face
- Large variations in contact pressure and temperature are encountered at the tool-chip interface (rake face)
- This causes big changes in μ and it is thus called “apparent mean coefficient of friction”
- Equation (second set in [previous slide](#)) thus indicates:
 - As rake angle \downarrow or friction at rake face \uparrow
 \Rightarrow shear angle \downarrow and chip becomes thicker
 - Thicker chip \Rightarrow more energy lost because shear strain is higher
 - Because work done during cutting is converted into heat \Rightarrow temperature rise is higher

Mechanics of Cutting

19

Velocities in the Cutting Zone

- Since $t_c > t_o \Rightarrow V_c$ (velocity of chip) $< V$ (cutting speed)
- Since mass continuity is maintained,

$$Vt_0 = V_c t_c \text{ or } V_c = Vr \Rightarrow V_c = \frac{V \sin \phi}{\cos(\phi - \alpha)}$$

- From *Velocity diagram*, obtain equations from trigonometric relationships (V_s velocity at shearing plane):

$$\frac{V}{\cos(\phi - \alpha)} = \frac{V_s}{\cos \alpha} = \frac{V_c}{\sin \phi}$$

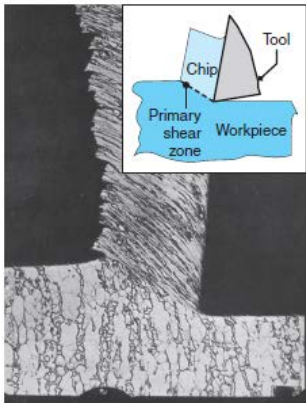
- Note also that
$$r = \frac{t_0}{t_c} = \frac{V_c}{V}$$

Mechanics of Cutting:

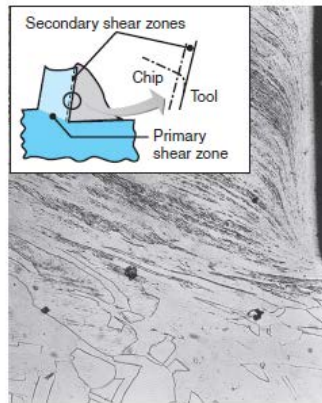
Types of Chips Produced in Metal Cutting

20

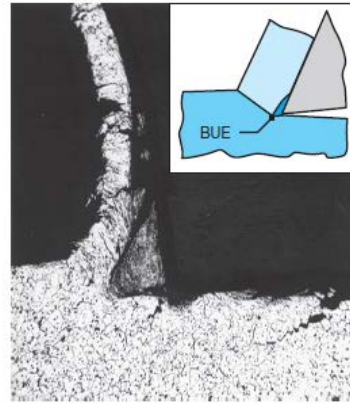
- Types of metal chips commonly observed in practice (orthogonal metal cutting)
- There are 4 main types:



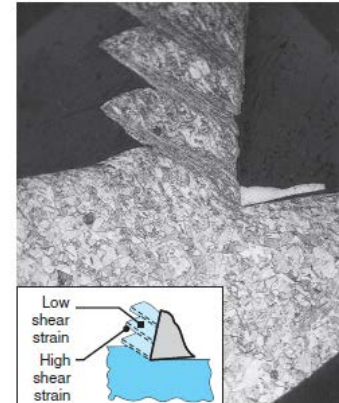
(a)



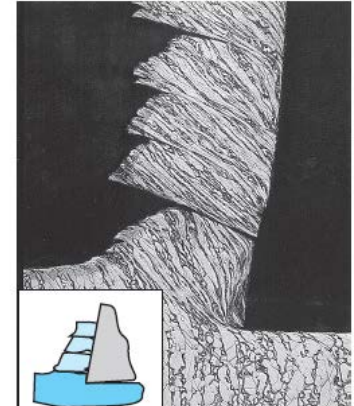
(b)



(c)



(d)



(e)

- a) Continuous chip (with narrow, straight, primary shear zone)
- b) Continuous chip with secondary shear zone at the tool-chip interface
- c) Built-up edge, BUE chip
- d) Serrated or segmented or non-homogenous chip
- e) Discontinuous chip

Mechanics of Cutting:

Types of Chips Produced in Metal Cutting

21

All Chips

- Chip has two surfaces:
- Surface in contact with rake face
 - ▣ Shiny and polished
 - ▣ Caused by rubbing of the chip on the tool surface
- Outer surface from the original surface of the workpiece
 - ▣ Jagged, rough appearance
 - ▣ Caused by shearing mechanism
 - ▣ Note, this surface remains exposed to the environment, and does not come into contact with any other surface

Mechanics of Cutting:

Types of Chips Produced in Metal Cutting

22

Continuous Chips

- Formed with ductile materials machined at high cutting speeds and/or high rake angles
- Deformation takes place along a narrow shear zone called the (*primary shear zone*)
- Continuous chips may develop a *secondary shear zone* due to high friction at the tool–chip interface
 - This zone becomes thicker as friction increases
- Continuous chips may also occur with wide primary shear zone with curved boundaries ([slide 9](#))
 - Note, lower boundary of deformation zone drops below machined surface ⇒ distortion in workpiece, poor finish
 - Occurs: machining soft metals at low speeds, low rake angles

Mechanics of Cutting:

Types of Chips Produced in Metal Cutting

24

Serrated Chips

- Also called *segmented* or *nonhomogeneous* chips
- They are semicontinuous chips with
 - large zones of low shear strain and
 - small zones of high shear strain (*shear localization*)
- Example: metals with low thermal conductivity and strength that decreases sharply with temperature, i.e. thermal softening (e.g. titanium)
- Chips have a sawtooth-like appearance
 - Note, do not confuse this with dimension d ([slide 13](#))

Mechanics of Cutting:

Types of Chips Produced in Metal Cutting

25

Discontinuous Chips

- Consist of segments that are attached firmly or loosely to each other
- Form under the following conditions:
 1. Brittle workpiece materials
 2. Materials with hard inclusions and impurities
 3. Very low or very high cutting speeds
 4. Large depths of cut
 5. Low rake angles
 6. Lack of an effective cutting fluid
 7. Low stiffness of the machine tool (\Rightarrow vibration, chatter)

Mechanics of Cutting:

Types of Chips Produced in Metal Cutting

26

Chip Curl

- Chips will develop a curvature (*chip curl*) as they leave the workpiece surface
- Factors affecting the chip curl conditions are:
 1. Distribution of stresses in the primary and secondary shear zones.
 2. Thermal effects.
 3. Work-hardening characteristics of the workpiece material
 4. Geometry of the cutting tool
 5. Cutting fluids
- Note, as cutting depth ↓, chip radius ↓ (i.e. curlier)

Mechanics of Cutting:

Types of Chips Produced in Metal Cutting

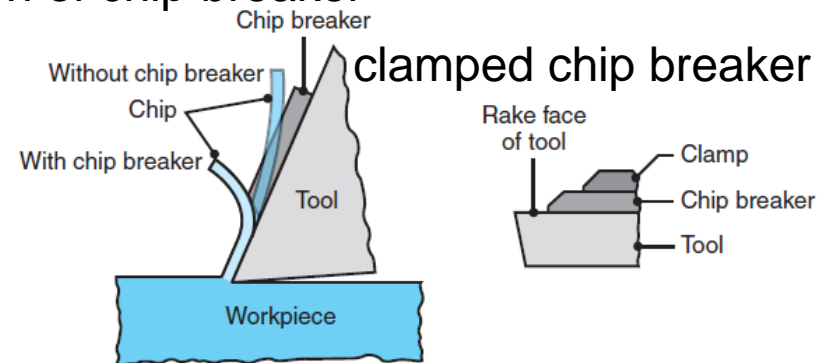
27

Chip Breakers

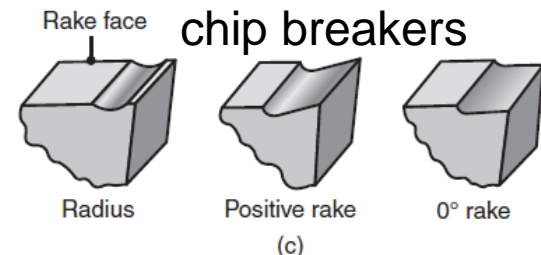
- Long, continuous chips are undesirable since:
 - ▣ become entangled and greatly interfere with machining
 - ▣ potential safety hazard

- *chip-breaker*: breaks chips intermittently with cutting tools
- Traditionally are clamped to rake face: bend and break the chip
- Modern tools: built-in chip breakers
- Ideal chip: “C” or “9” shape

action of chip breaker



(a) Grooves in tools act as chip breakers



Mechanics of Cutting:

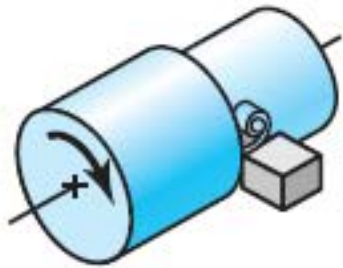
Types of Chips Produced in Metal Cutting

28

Chip Breakers

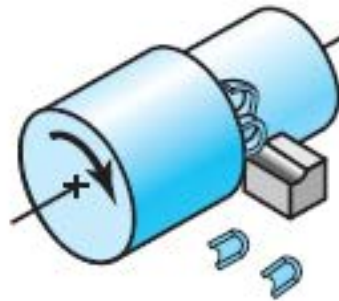
- Chips can also be broken by changing the tool geometry to control chip flow

Chips produced in turning



(a)

Tightly curled chip



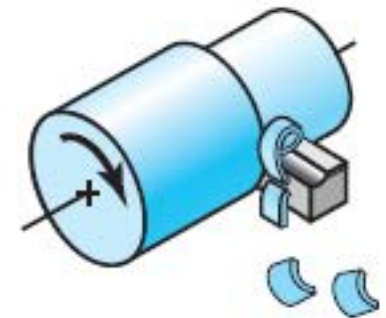
(b)

Chips hits workpiece and breaks



(c)

Continuous chip moving radially away from the workpiece



(d)

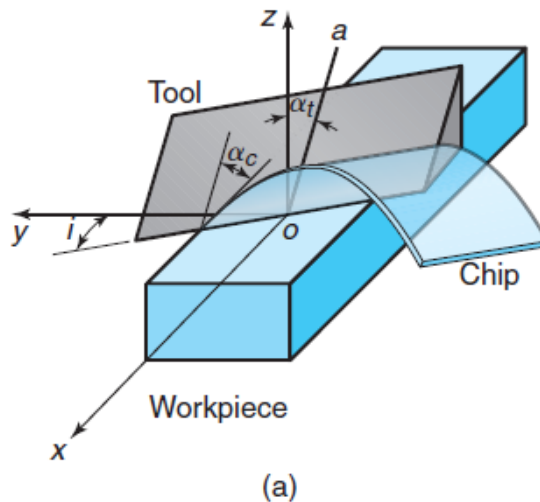
Chip hits tool shank (body) and breaks off

Mechanics of Cutting: Oblique Cutting

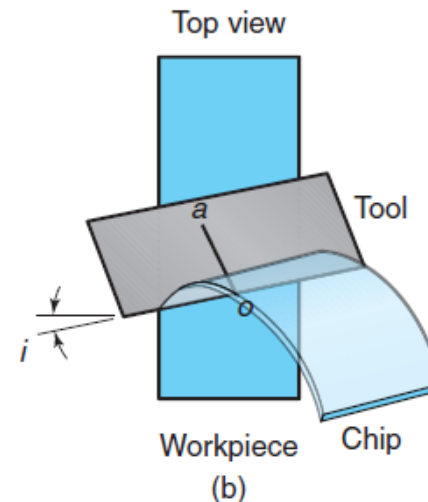
29

- Majority of machining operations involve tool shapes that are 3-D where the cutting is said to be *oblique*
- Difference between oblique and orthogonal cutting can be seen in chip movement and shape

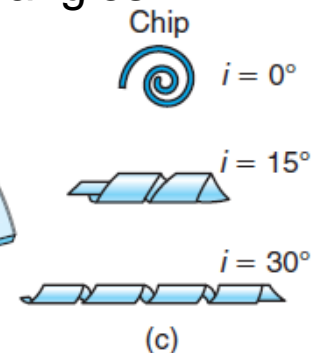
Cutting with an Oblique Tool
(note the direction of chip movement)



Top view, showing inclination angle, i



Types of chips produced with tools at increasing inclination angles



Mechanics of Cutting:

Oblique Cutting

30

- Orthogonal cutting: chip slides directly up face of tool
- Oblique cutting: chip is *helical*, at an **inclination angle** (i)
 - ▣ Chip movement is like snow from snowplow blade: sideways
 - ▣ i.e. helical chip don't interfere with cutting zone, unlike orthogonal cutting
- The effective rake angle is $\alpha_e = \sin^{-1}(\sin^2 i + \cos^2 i \sin \alpha_n)$
 - ▣ Note i, α_n can be measured directly to find α_e
 - ▣ As $i \uparrow \Rightarrow \alpha_e \uparrow \Rightarrow$ chip becomes thinner and longer (see [last slide](#)) \Rightarrow cutting force \downarrow (very important finding!)

Mechanics of Cutting:

Oblique Cutting

31

Shaving and Skiving

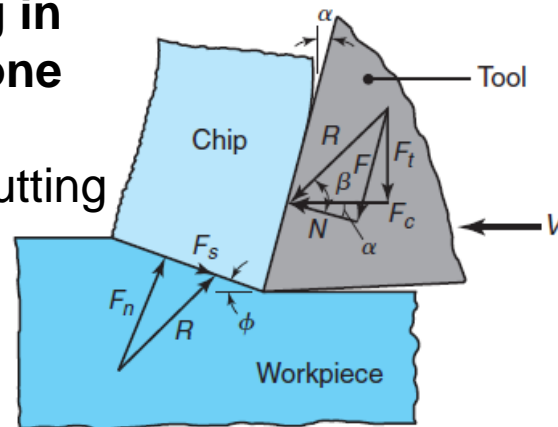
- Thin layers of material can be removed from straight or curved surfaces (similar to shaving wood with a plane)
- *Shaving* can improve the surface finish and dimensional accuracy
- Parts that are long or combination of shapes are shaved by *skiving*
 - A specially shaped cutting tool is moved tangentially across the length of the workpiece

Cutting Forces and Power

32

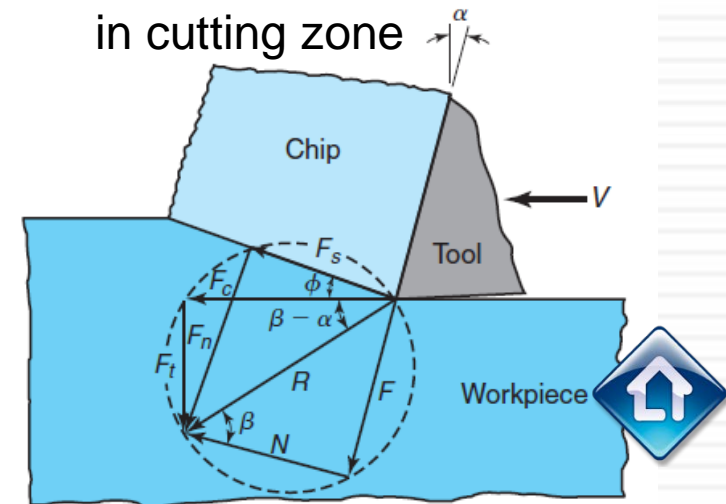
- Knowledge of *cutting forces* and *power* involves:
 1. Data on cutting forces
 - ▣ important to minimize distortions, maintain required dimensional accuracy, help select appropriate toolholders
 2. Power requirements
 - ▣ enables appropriate tool selection

Forces acting in the cutting zone during 2-D (orthogonal) cutting



(a)

Force circle to determine various forces in cutting zone



(b)

Cutting Forces and Power

33

- Forces considered in orthogonal cutting include
 - ▣ Cutting, friction (tool face), and shear forces
- **Cutting force**, F_c acts in the direction of the cutting speed V , and supplies the energy required for cutting
 - ▣ Ratio of F_c to cross-sectional area being cut (i.e. product of width and depth of cut, t_o) is called: *specific cutting force*
- **Thrust force**, F_t acts in a direction normal to the cutting force
- These two forces produces the **resultant force**, R
 - ▣ see force circle ([last slide](#))
- On tool face, resultant force can be resolved into:
 - ▣ **Friction force**, F along the tool-chip interface
 - ▣ **Normal force**, N to \perp to friction force

Cutting Forces and Power

34

- It can also be shown that (β is friction angle)

$$F = R \sin \beta \Rightarrow N = R \cos \beta$$

- Resultant force, R is balanced by an equal and opposite force along the shear plane
- It is resolved into **shear force**, F_s and **normal force**, F_n

- Thus,
$$F_s = F_c \cos \phi - F_t \sin \phi$$

$$F_n = F_c \sin \phi + F_t \cos \phi$$

- The magnitude of **coefficient of friction**, μ is

$$\mu = \frac{F}{N} = \frac{F_t + F_c \tan \alpha}{F_c - F_t \tan \alpha}$$

Cutting Forces and Power

35

Thrust Force

- The toolholder, work-holding devices, and machine tool must be stiff to support thrust force with minimal deflections
 - ▣ If F_t is too high \Rightarrow tool will be pushed away from workpiece
 - ▣ this will reduce depth of cut and dimensional accuracy
- The effect of rake angle and friction angle on the direction of thrust force is

$$F_t = R \sin(\beta - \alpha) \text{ or } F_t = F_c \tan(\beta - \alpha)$$

- Magnitude of the cutting force, F_c is always positive as the force that supplies the work is required in cutting
- However, F_t can be +ve or -ve; i.e. F_t can be upward with
 - a) high rake angle, b) low tool-chip friction, or c) both

Cutting Forces and Power

36

Power

- The power input in cutting is

$$Power = F_c V$$

- Power is dissipated in
 - shear plane/zone (due to energy required to shear material)
 - Rake face (due to tool-chip interface friction)
- Power dissipated in shearing is

$$Power \text{ for shearing} = F_s V_s$$

- Denoting the width of cut as w , (i.e. area of cut: wt_0), the **specific energy for shearing**, is

$$u_s = \frac{F_s V_s}{wt_0 V}$$

Cutting Forces and Power

37

Power

- The power dissipated in friction is

$$\text{Power for friction} = FV_c$$

- The **specific energy for friction, u_f** is

$$u_f = \frac{FV_c}{wt_0V} = \frac{Fr}{wt_0}$$

- **Total specific energy, u_t** is

$$u_t = u_s + u_f$$

Cutting Forces and Power

38

Power

- Prediction of forces is based largely on experimental data (right)
- Wide ranges of values is due to differences in material strengths
- Sharpness of the tool tip also influences forces and power
- Duller tools require higher forces and power

Approximate Range of Energy Requirements in Cutting Operations at the Drive Motor of the Machine Tool (for Dull Tools, Multiply by 1.25)

Material	Specific energy $W \cdot s/mm^3$
Aluminum alloys	0.4–1
Cast irons	1.1–5.4
Copper alloys	1.4–3.2
High-temperature alloys	3.2–8
Magnesium alloys	0.3–0.6
Nickel alloys	4.8–6.7
Refractory alloys	3–9
Stainless steels	2–5
Steels	2–9
Titanium alloys	2–5

Cutting Forces and Power

39

Measuring Cutting Forces and Power

- Cutting forces can be measured using a **force transducer**, a **dynamometer** or a **load cell** mounted on the cutting-tool holder
- It is also possible to calculate the cutting force from the **power consumption** during cutting (provided mechanical efficiency of the tool can be determined)
- The *specific energy* (u , [last slide](#)) in cutting can be used to calculate cutting forces

Cutting Forces and Power

40

EXAMPLE 21.1

Relative Energies in Cutting

In an orthogonal cutting operation, $t_o=0.13$ mm, $V=120$ m/min, $\alpha=10^\circ$ and the width of cut 6 mm. It is observed that $t_c=0.23$ mm, $F_c=500$ N and $F_f=200$ N. Calculate the percentage of the total energy that goes into overcoming friction at the tool–chip interface.

Cutting Forces and Power

41

Solution

Relative Energies in Cutting

The percentage of the energy can be expressed as

$$\frac{\text{Friction Energy}}{\text{Total Energy}} = \frac{FV_c}{F_c V} = \frac{Fr}{F_c}$$

where

$$r = \frac{t_0}{t_c} = \frac{0.13}{0.23} = 0.565$$

We have

$$F = R \sin \beta, \quad F_c = R \cos(\beta - \alpha) \quad \text{and}$$

$$R = \sqrt{(F_t^2 + F_c^2)} = \sqrt{200^2 + 500^2} = 539 \text{ N}$$

Cutting Forces and Power

42

Solution

Relative Energies in Cutting

Thus,

$$500 = 539 \cos(\beta - 10) \Rightarrow \beta = 32^\circ$$

$$F = 539 \sin 32^\circ = 286 \text{ N}$$

Hence

$$\text{Percentage} = \frac{(286)(0.565)}{500} = 0.32 \text{ or } 32\%$$

Temperatures in Cutting

43

- **Temperature rise** (due to heat lost in cutting \Rightarrow raising temp. in cutting zone) - its major adverse effects:
 1. Lowers the strength, hardness, stiffness and wear resistance of the cutting tool (i.e. alters tool shape)
 2. Causes uneven dimensional changes (machined parts)
 3. Induce thermal damage and metallurgical changes in the machined surface (\Rightarrow properties adversely affected)
- **Sources of heat** in machining:
 - a. Work done in shearing (primary shear zone)
 - b. Energy lost due to friction (tool-chip interface)
 - c. Heat generated due to tool rubbing on machined surface (especially dull or worn tools)



Temperatures in Cutting

44

- Expression: *mean temperature* in orthogonal cutting:

$$T = \frac{0.000665Y_f}{\rho c} \sqrt[3]{\frac{Vt_0}{K}}$$

where,

- T : (aka T_{mean}) mean temperature in [K]
- Y_f : flow stress in [MPa]
- ρc : volumetric specific heat in [kJ/m³·K]
- K : thermal diffusivity (ratio of thermal conductivity to volumetric specific heat) in [m²/s]
- Equation shows that T :
 - increases with material strength, cutting speed (V), depth of cut (t_0);
 - decreases with ρc and K



Temperatures in Cutting

45

- *Mean temperature in turning on a lathe is given by*

$$T_{mean} \propto V^a f^b$$

where,

- V : cutting speed
- f : feed of the tool
- Approximate values of the exponents a, b :
 - *Carbide tools: $a = 0.2, b = 0.125$*
 - *High-speed steel tools: $a = 0.5, b = 0.375$*
- Also note how this relation shows the increase in temperature with increased cutting speed and feed

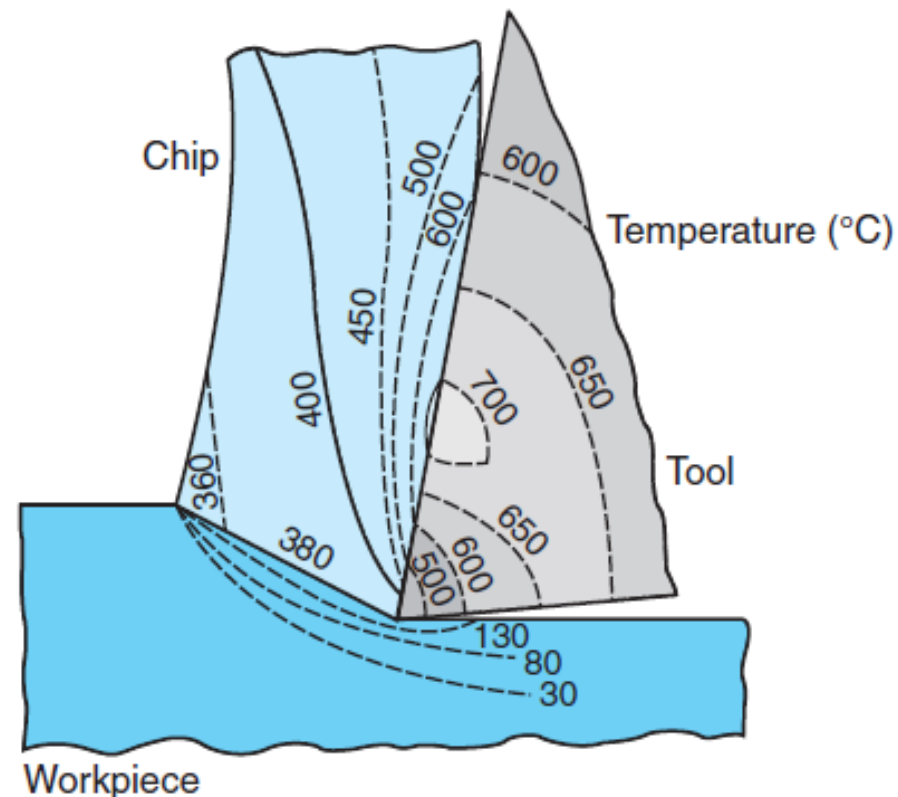


Temperatures in Cutting

46

Temperature Distribution

- Sources of heat generation are concentrated in
 - primary shear zone, and
 - At tool–chip interface
 - \Rightarrow v. large temp. gradients in the cutting zone (right)
- Note *max. temp* is about halfway up tool-chip interface (why?)



Temperatures in Cutting

47

Temperature Distribution

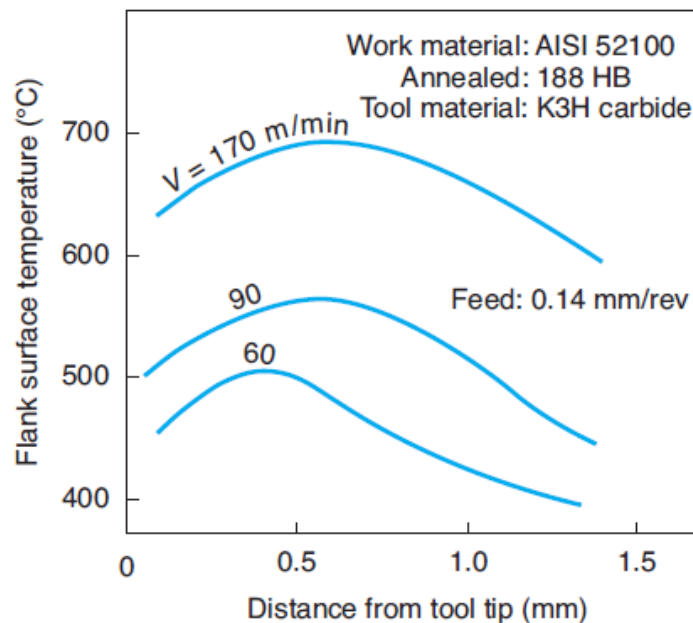
Note:

- Highest temp.: 1100°C
- High temp. appear as dark-color on chips (by oxidation at high V)
- Reason: as $V \uparrow \Rightarrow$ time for heat dissipation $\downarrow \Rightarrow$ temp. \uparrow

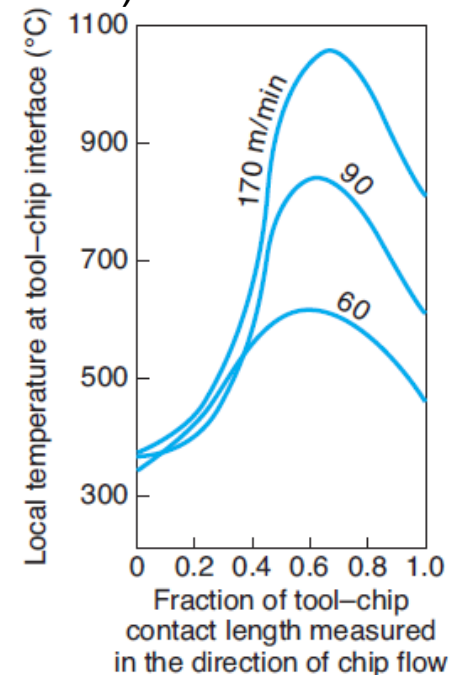
Temperatures developed in turning 52100 steel

a) flank temperature distribution

b) tool-chip interface temp. distribution (note, abscissa: 0: tool tip; 1: end of tool-chip contact)



(a)



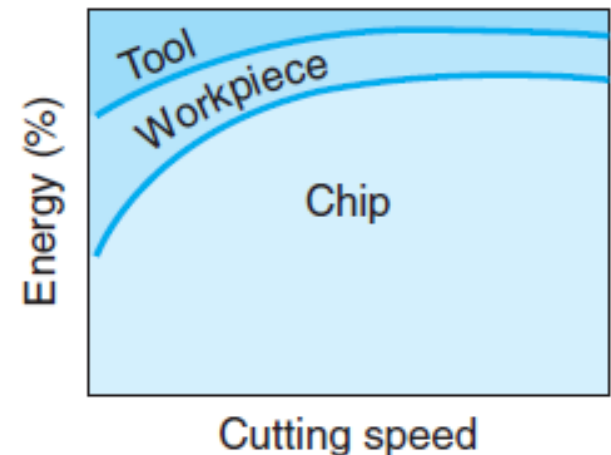
(b)

Temperatures in Cutting

48

Temperature Distribution

- The temperature increases with cutting speed
- Chips can become red hot and create a safety hazard for the operator
- The chip carries away most (90%) of the heat generated during machining (see right)
 - Rest carried by tool and workpiece
- Thus high machining speed (V) ⇒
 1. More energy lost in chips
 2. Machining time decreases (i.e. favorable machining economics)



Temperatures in Cutting

49

Techniques for Measuring Temperature

- Temperatures and their distribution can be determined using
 - ▣ **thermocouples** (placed on tool or workpiece)
 - ▣ Electromotive force (**thermal emf**) at the tool-chip interface
 - ▣ Measuring **infrared radiation** (using a *radiation pyrometer*) from the cutting zone (only measures surface temperatures)

Tool Life: Wear and Failure

50

- **Tool wear** is gradual process; created due to:
 1. High localized stresses at the tip of the tool
 2. High temperatures (especially along rake face)
 3. Sliding of the chip along the rake face
 4. Sliding of the tool along the newly cut workpiece surface
- The rate of tool wear depends on
 - tool and workpiece materials
 - tool geometry
 - process parameters
 - cutting fluids
 - characteristics of the machine tool



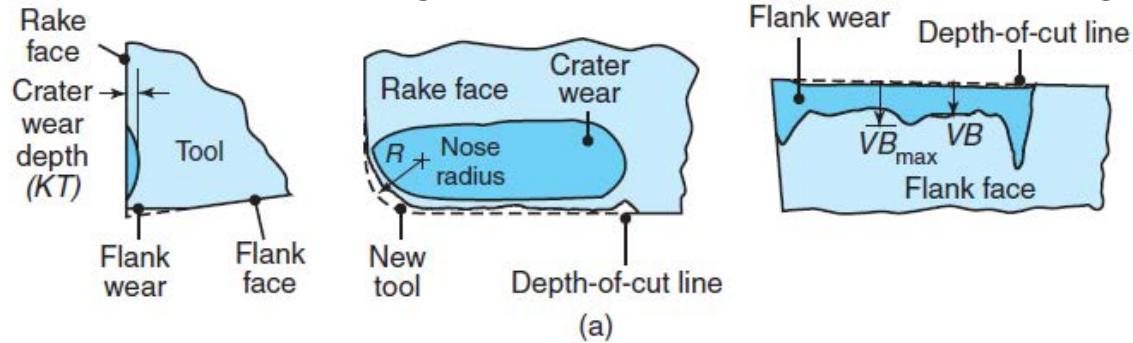
Tool Life: Wear and Failure

51

- Tool wear and the changes in tool geometry are classified as:
 - a) *Flank wear*
 - b) *Crater wear*
 - c) *Nose wear*
 - d) *Notching*
 - e) *Plastic deformation of the tool tip*
 - f) *Chipping and Gross fracture*

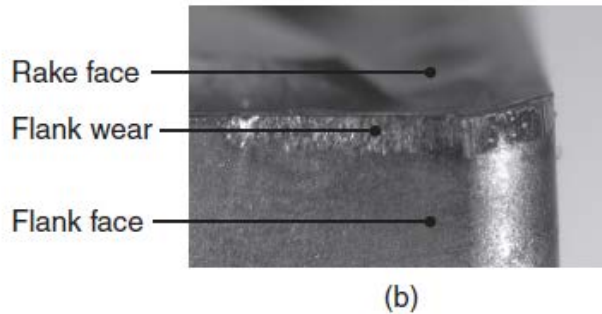
Tool Life: Wear and Failure

a) **Features of tool wear** in a turning operation. **VB**: indicates average flank wear

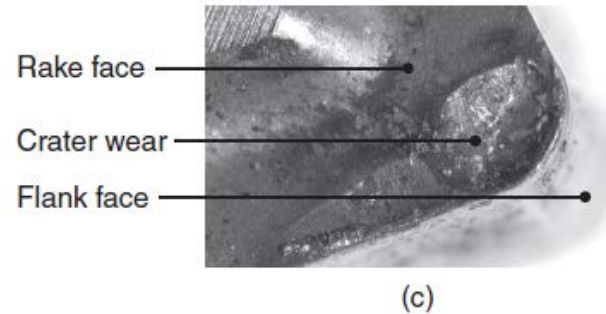


b) – e) **Examples of wear in cutting tools**

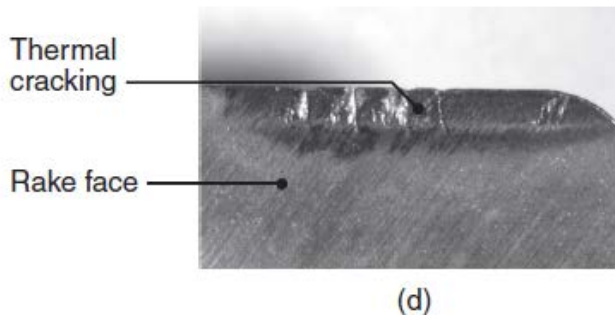
b) **Flank wear**



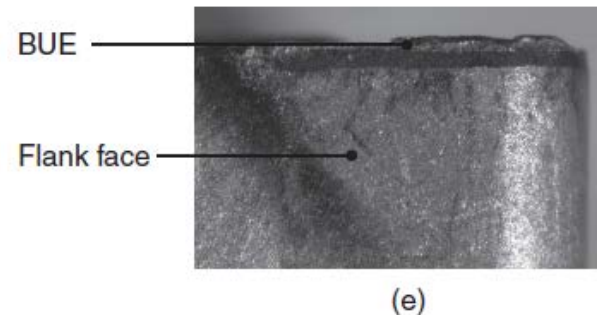
c) **Crater wear**



d) **Thermal cracking**



e) **Flank wear and built-up edge (BUE)**



Tool Life: Wear and Failure:

Flank Wear

53

- Flank wear occurs on the relief (flank) face of the tool
- It is due to
 - ▣ rubbing of the tool along machined surface (\Rightarrow adhesive/abrasive wear)
 - ▣ high temperatures (adversely affecting tool-material properties)

- ***Taylor tool life equation :***

$$VT^n = C$$

V = cutting speed [*m/minute*]

T = time [*minutes*] taken to develop a certain flank **wear land** (V_B , [last slide](#))

n = an exponent that generally depends on tool material (see above)

C = constant; depends on cutting conditions

note, magnitude of C = cutting speed at $T = 1$ min (can you show how?)

Also note: n, c : determined experimentally

Ranges of n Values for the Taylor Equation (21.20a) for Various Tool Materials

High-speed steels	0.08–0.2
Cast alloys	0.1–0.15
Carbides	0.2–0.5
Coated carbides	0.4–0.6
Ceramics	0.5–0.7

Tool Life: Wear and Failure:

Flank Wear

54

- To appreciate the importance of the exponent, n , *Taylor tool life equation*, rearranged:

$$T = \left(\frac{C}{V} \right)^{1/n}$$

- Thus, for constant C : smaller $n \Rightarrow$ smaller tool life
- For turning, equation can be modified to

$$VT^n d^x f^y = C$$

where,

d = depth of cut (same as t_0)

f : feed of the tool [mm/rev]

x, y : must be determined experimentally for each cutting condition

Tool Life: Wear and Failure:

Flank Wear

55

$$VT^n d^x f^y = C$$

- typical values in machining conditions
 - ▣ $n = 0.15$; $x = 0.15$; $y = 0.6$
 - ▣ i.e. decreasing importance order: V , then f , then d

- Equation can be rearranged as

$$T = C^{1/n} V^{-1/n} d^{-x/n} f^{-y/n}$$

- Substituting typical values \Rightarrow

$$T \approx C^7 V^{-7} d^{-1} f^{-4}$$

- To obtain a constant tool life:
 1. Decrease V if f or d are increased (and vice versa)
 2. Depending on the exponents, if $V \downarrow \Rightarrow$ you can increase volume of material removed by $\uparrow f$ or d

Tool Life: Wear and Failure:

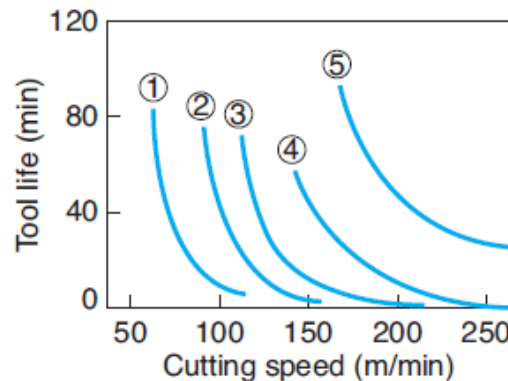
Flank Wear

56

Tool-life Curves

- *Tool-life curves* are plots of experimental data from performing cutting tests on various materials under different cutting conditions (e.g. V , f , t_o , tool material,...)
- Note (figure below)
 - ▣ As V increases \Rightarrow tool life decreases v. fast
 - ▣ Condition of workpiece material has large impact on tool life
 - ▣ There's large difference in tool life among different compositions

Effect of workpiece hardness and microstructure on tool life in turning ductile cast iron. Note the rapid decrease in tool life (approaching zero as V increases).



	Hardness (HB)	Ferrite	Pearlite
① As cast	265	20%	80%
② As cast	215	40	60
③ As cast	207	60	40
④ Annealed	183	97	3
⑤ Annealed	170	100	—

Tool Life: Wear and Failure:

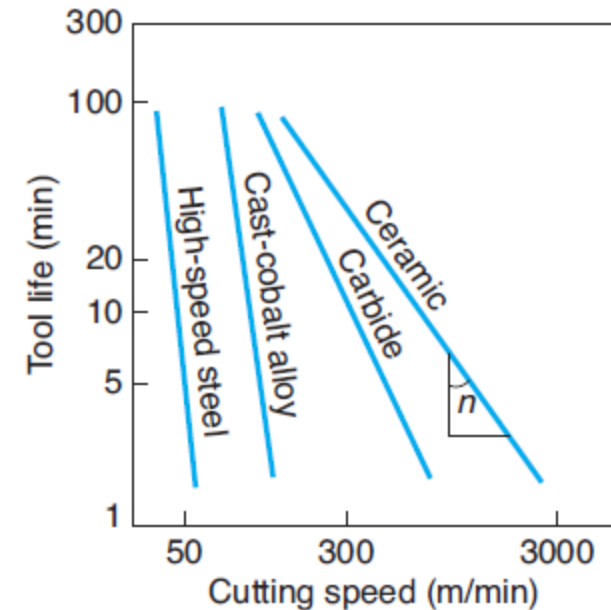
Flank Wear

57

Tool-life Curves

- The exponent n can be determined from tool-life curves (see right)
 - Smaller n value \Rightarrow as V increases \Rightarrow tool life decreases faster
 - n can be negative at low cutting speeds
- Temperature also influences wear:
 - as temperature increases, flank wear rapidly increases

Tool-life curves for a variety of cutting-tool materials. The negative reciprocal of the slope of these curves is the exponent n in the Taylor tool-life Equation, and C is the cutting speed at $T = 1$ min, ranging from about 60 to 3,000 m/min in this figure.



Tool Life: Wear and Failure:

Flank Wear

58

EXAMPLE 21.2

Increasing Tool Life by Reducing the Cutting Speed

Using the Taylor Equation for tool life and letting $n=0.5$ and $C=120$, calculate the percentage increase in tool life when the cutting speed is reduced by 50%.

Solution

Since $n=0.5$, we have $0.5V_1\sqrt{T_2} = V_1\sqrt{T_1} \Rightarrow \frac{T_2}{T_1} = 4$

This indicates that the change in tool life is

$$\frac{T_2 - T_1}{T_1} = \left(\frac{T_2}{T_1} \right) - 1 = 3 \text{ or } 300\% \text{ increase}$$

Tool Life: Wear and Failure:

Flank Wear

59

Allowable Wear Land

- Cutting tools need to be replaced/resharpened when:
 1. Surface finish of the machined workpiece begins to deteriorate
 2. Cutting forces increase significantly
 3. Temperature rises significantly
- VB values (see [slide 52](#))
 - Note, VB should be smaller than these values for higher dimensional accuracy, tolerances, surface finish

Allowable Average Wear Land (see VB in Fig. 21.15a) for Cutting Tools in Various Machining Operations

Operation	Allowable wear land (mm)	
	High-speed steel tools	Carbide tools
Turning	1.5	0.4
Face milling	1.5	0.4
End milling	0.3	0.3
Drilling	0.4	0.4
Reaming	0.15	0.15

Note: Allowable wear for ceramic tools is about 50% higher. Allowable notch wear, VB_{max} , is about twice that for VB .

Tool Life: Wear and Failure:

Flank Wear

60

Allowable Wear Land

- Recommended cutting speed is one producing tool life:
 - 60-120 min: high-speed steel tools
 - 30-60 min: carbide tools
- Note, with pc-controlled machine tools, values can vary significantly from above

Optimum Cutting Speed

- Optimum cutting speed is a tradeoff between:
 1. Cutting speed(V), since as $V \uparrow$, tool life quickly \downarrow
 2. Material removal rate, since as $V \downarrow$, tool life \uparrow , but material removal rate also \downarrow

Tool Life: Wear and Failure:

Flank Wear

61

EXAMPLE 21.3

Effect of Cutting Speed on Material Removal

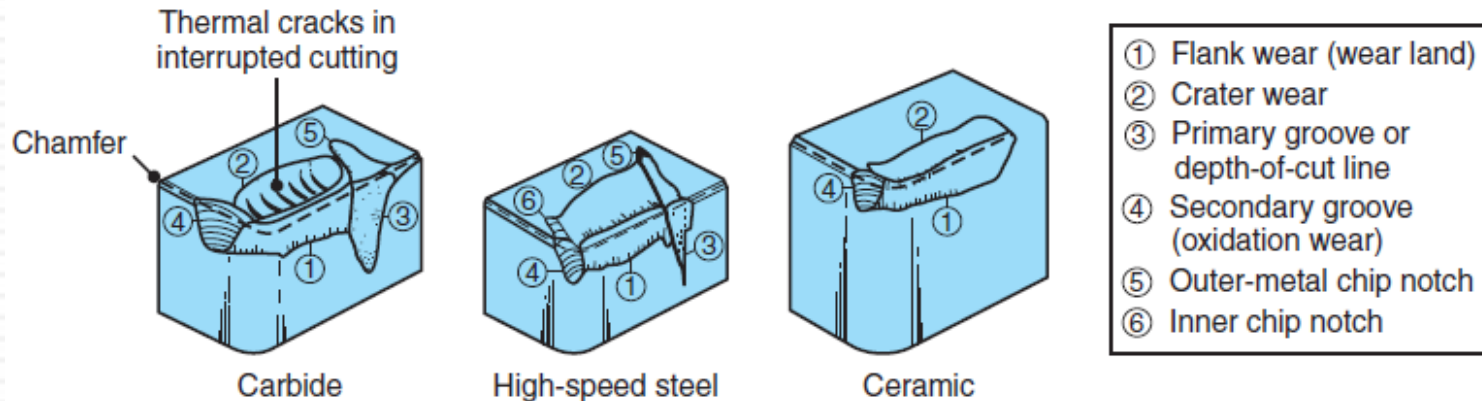
- When cutting speed is 60 m/min, tool life is 40 min
- The tool travels a distance of $60 \times 40 = 2400$ m
- When cutting speed is increased to 120 m/min, tool life reduced 5 min and travels 600 m
- It can be seen that by *decreasing* the cutting speed, *more* material is removed between tool changes

Tool Life: Wear and Failure:

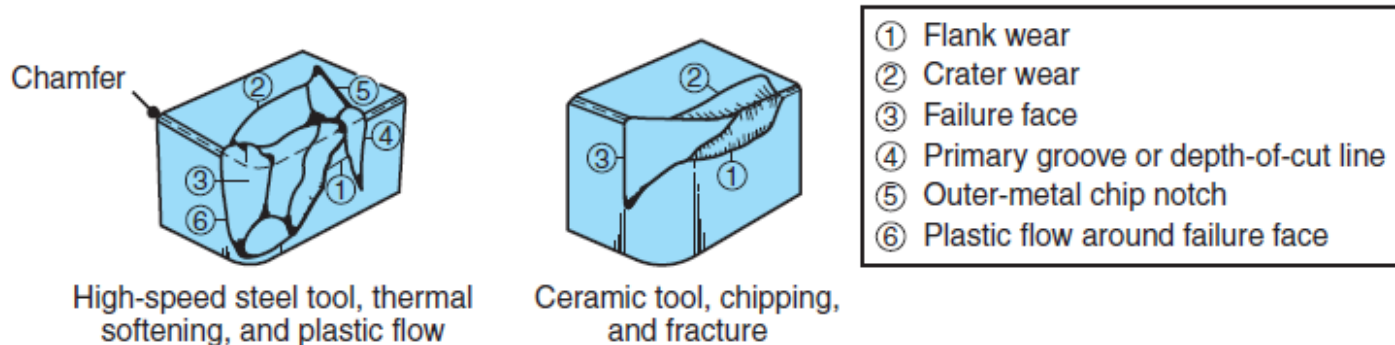
Crater Wear

62

- *Crater wear* occurs on the rake face of the tool (↓, [slide 52](#))



(a) Types of wear associated with various cutting tools



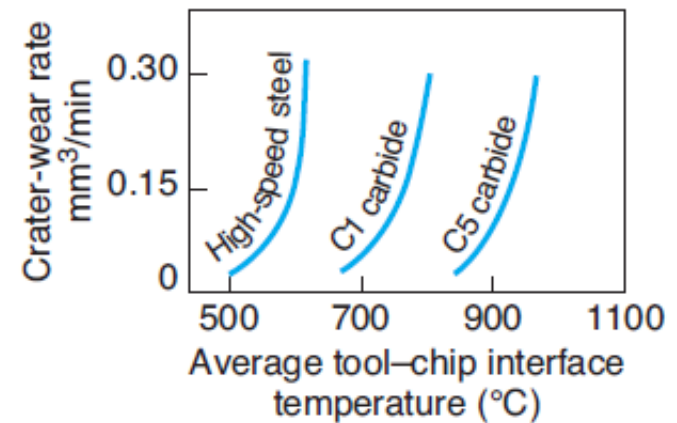
(b) Catastrophic tool failures (many variables involved)

Tool Life: Wear and Failure:

Crater Wear

63

- Factors influencing crater wear are
 1. Temperature at the tool–chip interface
 2. Chemical affinity between tool and workpiece materials
- Crater wear occurs due to “**diffusion mechanism**”
 - This is the movement of atoms across tool-chip interface
 - Since diffusion rate increases with increasing temperature, ⇒ crater wear increases as temperature increases (see ↓)
 - Note how quickly crater wear-rate increases in a small temperature range
 - Coatings to tools is an effective way to slow down diffusion process (e.g. titanium nitride, alum. oxide)



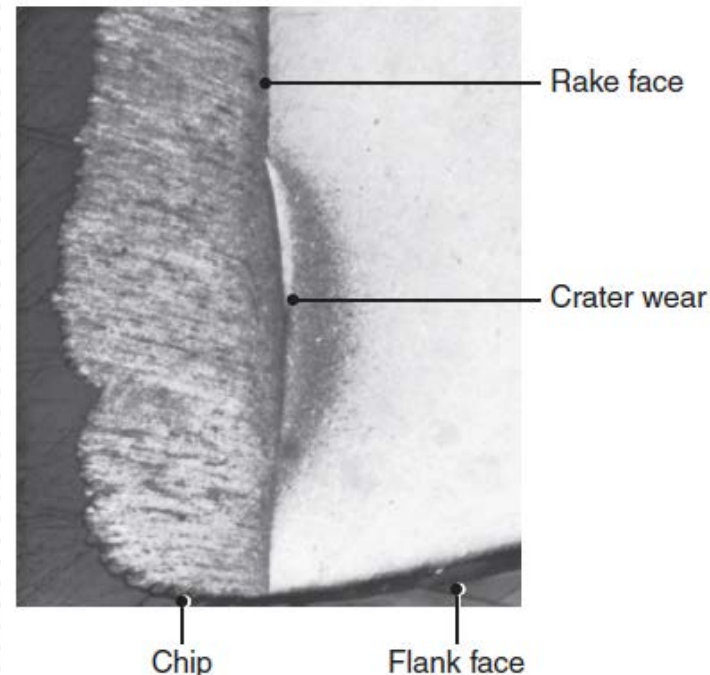
Tool Life: Wear and Failure:

Crater Wear

64

- Location of the max depth of crater wear, KT , ([slide 52](#)) coincides with the location of the *max temperature* at the tool–chip interface (see right)
 - Note, how the crater-wear pattern coincides with the discoloration pattern
 - Discoloration is an indication of high temperatures

Interface of a cutting tool (right) and chip (left) in machining plain carbon-steel. Compare this with [slide 46](#).



Tool Life: Wear and Failure:

Other Types of Wear, Chipping, and Fracture

65

- ***Nose wear*** ([slide 52](#)) is the rounding of a sharp tool due to mechanical and thermal effects
 - ▣ It dulls the tool, affects chip formation, and causes rubbing of the tool over the workpiece
 - ▣ This raises tool temperature, which causes residual stresses on machined surface
- Tools also may undergo ***plastic deformation*** because of temperature rises in the cutting zone
 - ▣ Temp. may reach 1000 °C (or higher in stronger materials)
- ***Notches*** or ***grooves*** ([slides 52](#), [62](#)) occur at boundary where chip no longer touches tool
 - ▣ Boundary is called **depth- of-cut (DOC) line** with depth $1/V$
 - ▣ Can lead to gross chipping in tool (due to small area)

Tool Life: Wear and Failure:

Other Types of Wear, Chipping, and Fracture

66

- Tools may undergo *chipping*, where small fragment from the cutting edge of the tool breaks away
 - ▣ Mostly occurs with brittle tool materials (e.g. ceramics)
 - ▣ Small fragments: “microchipping” or “macrochipping”
 - ▣ Large fragments: “gross fracture” or “catastrophic failure”
- Chipping may occur in a region of the tool where a small crack already exists
 - ▣ This causes sudden loss of tool material, change in tool shape
 - ▣ ⇒ drastic effects on surface finish, dimensional accuracy
- Two main causes of chipping
 - ▣ **Mechanical shock** (impact due to interrupted cutting)
 - ▣ **Thermal fatigue** (variations in temp. due to interrupted cutting)
 - ▣ Note, thermal cracks are \perp to rake face ([slide 62](#))

Tool Life: Wear and Failure:

Tool-condition Monitoring

67

- It is v. important to continuously monitor the condition of the cutting tool to observe wear, chipping, gross failure
- Tool-condition monitoring systems are integrated into computer numerical control (CNC) and programmable logic controllers (PLC)
- Classified into 2 categories:
 1. **Direct method**
 2. **Indirect methods**

Tool Life: Wear and Failure:

Tool-condition Monitoring

68

1. **Direct method** for observing the condition of a cutting tool involves optical measurements of wear
 - ▣ e.g. periodic observation of changes in tool using microscope
 - ▣ e.g. programming tool to touch a sensor after every machining cycle (to detect broken tools)
2. **Indirect methods** of observing tool conditions involve the correlation of the tool condition with certain parameters
 - ▣ Parameters include forces, power, temp. rise, workpiece surface finish, vibration, chatter
 - ▣ e.g. transducers which correlate acoustic emissions (from stress waves in cutting) to tool wear and chipping
 - ▣ e.g. transducers which continually monitor torque and forces during cutting, plus measure and compensate for tool wear
 - ▣ e.g. sensors which measure temperature during machining

Surface Finish and Integrity

69

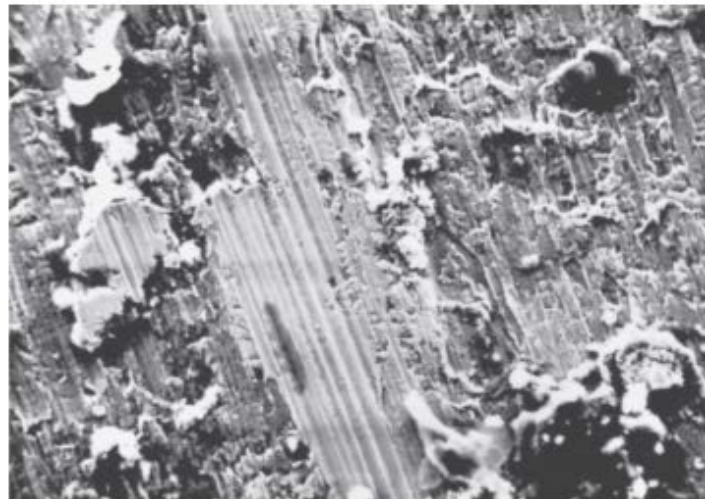
- **Surface finish:**
 - ▣ this influences the dimensional accuracy of machined parts, as well as properties and performance in service
 - ▣ this refers to geometric features of a *surface*
- **Surface integrity**
 - ▣ this refers to *material properties*
 - ▣ e.g. fatigue life, corrosion resistance
 - ▣ this is greatly affected by the *nature* of the surface produced
- The following discussion pertains to showing the different factors that affect surface finish and surface integrity



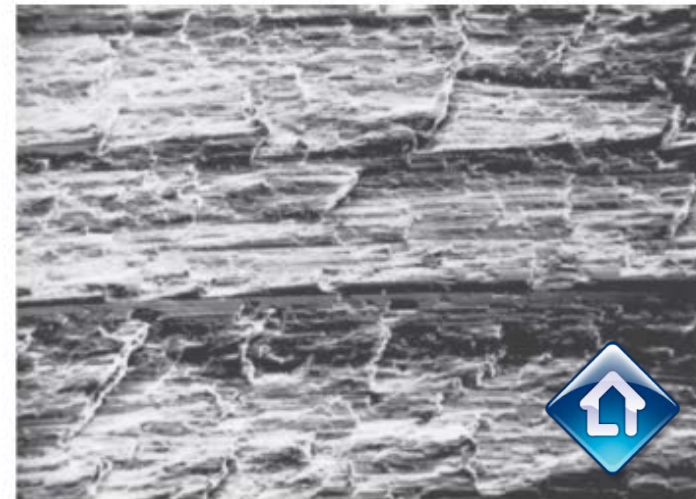
Surface Finish and Integrity

70

- The *built-up edge* has the greatest influence on surface finish (due to large effect on tool-tip surface); see below
 - Damage shown below is due to BUE
 - It appears as “scuffing” (i.e. scratching) marks
 - In normal machining: marks would appear as straight grooves
 - Note: diamond, ceramic tools have best surface finish (no BUE)



(a)



(b)

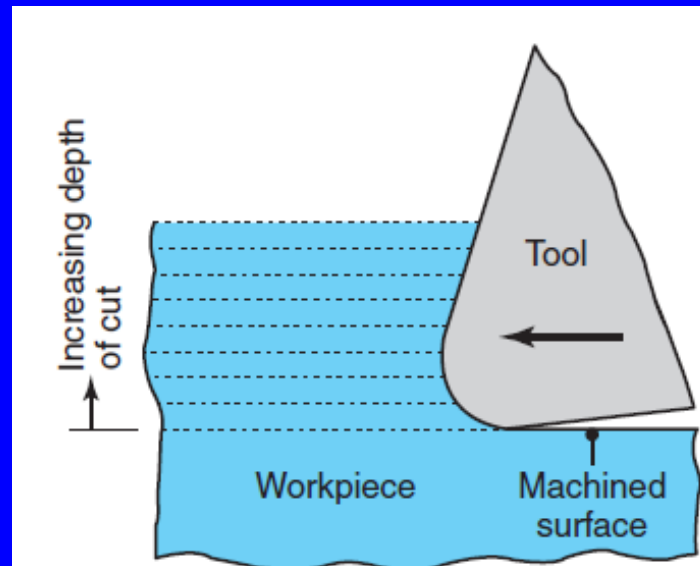
Machined surfaces produced on steel (highly magnified)
a) turned surface
b) surface produced by shaping



Surface Finish and Integrity

71

- A *dull* tool has a large R along its edges (like dull pencil) ↓
 - although tool in orthogonal cutting has *+ve* rake angle (α),
 - for small depths of cut: α can become *-ve*
 - \Rightarrow tool overrides workpiece (i.e. no cutting) and burnishes surface (i.e. rubs on it), and no chips are produced
 - \Rightarrow workpiece temp. \uparrow and this causes residual stresses
 - \Rightarrow surface damage: tearing, cracking
 - this occurs when tip radius of tool is large in relation to depth of cut
 - solution is to choose:
depth of cut $>$ tip radius



Surface Finish and Integrity

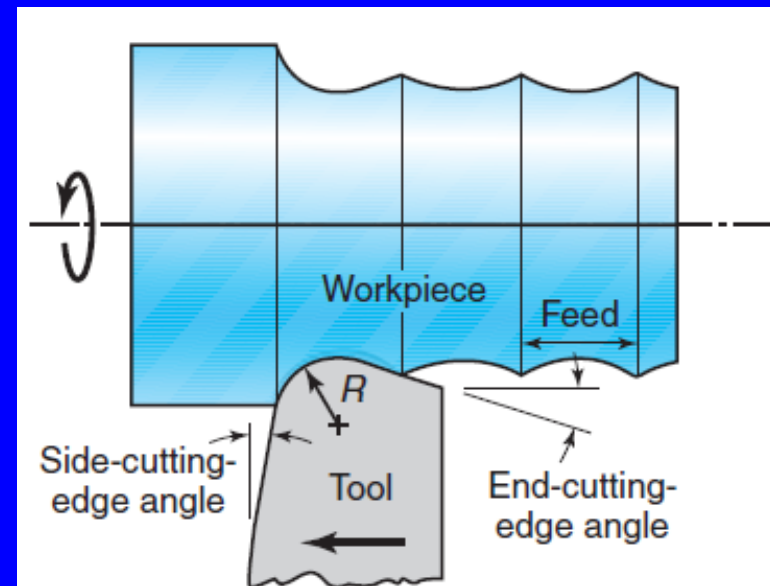
72

- In a turning operation, the tool leaves a spiral profile (**feed marks**) on the machined surface as it moves across the workpiece (see below, [slide 8](#)):
 - as feed (f) \uparrow + tool nose (R) $\downarrow \Rightarrow$ marks become more distinct
 - typical *surface roughness* is expressed as

$$R_t = \frac{f^2}{8R}$$

where, R_t : roughness height

- Feed marks are important to consider in *finish machining* (not *rough machining*)



Surface Finish and Integrity

73

- Vibration and chatter
 - adversely affects workpiece surface finish
 - tool vibration \Rightarrow variations in cutting dimensions
 - chatter \Rightarrow chipping, premature failure in brittle tools (e.g. ceramics, diamond)

- Factors influencing *surface integrity* (adversely) are:
 1. Temperatures generated during processing
 2. Surface residual stresses
 3. Severe plastic deformation and strain hardening of the machined surfaces, tearing and cracking
- note, each of these factors can be controlled by carefully choosing and maintaining cutting tools

Surface Finish and Integrity

74

Rough machining vs. Finish machining

- Rough machining
 - ▣ focus: removing a large amount of material at a high rate
 - ▣ surface finish is not emphasized since it will be improved during finish machining
- Finish machining
 - ▣ focus is on the surface finish to be produced
 - ▣ note, it is important that workpiece has developed no subsurface-damage due to rough machining (as in [slide 70](#))



Machinability

75

- *Machinability* is defined in terms of:
 1. Surface finish and surface integrity of machined part
 2. Tool life
 3. Force and power required
 4. The level of difficulty in chip control
- Good machinability indicates
 - good surface finish and surface integrity
 - a long tool life
 - and low force and power requirements
- Note, continuous chips should be avoided ([slide 22](#)) for good machinability



Machinability

76

Machinability ratings (indexes)

- these have been used also to determine machinability
- available for each type of material and its condition
- not used much anymore due to misleading nature
- e.g.: AISI 1112 steel with a rating of 100:
 - for a tool life of 60 min,
 - choose 30 m/min cutting speed (for machining this material)
- these are mostly qualitative aspects \Rightarrow not sufficient to guide operator to machining parts economically
- Other guides for various materials should include: cutting speed, feed, depth of cut, cutting tools and shape, cutting fluids

Machinability

77

- Machinability here discussed for the following:
 - Ferrous Metals (e.g. steels, stainless steels, cast iron, etc.)
 - Nonferrous Metals (e.g. aluminum, copper, magnesium)
 - Miscellaneous Materials (e.g. thermoplastics, ceramics)
 - Thermally assisted machining

Machinability of Ferrous Metals: Steels

- **Carbon steels** have a wide range of machinability
 - If a carbon steel is too ductile, chip formation can produce built-up edge, leading to poor surface finish
 - If too hard, it can cause abrasive wear of the tool because of the presence of carbides in the steel
 - Cold-worked carbon steels: preferred machinability

Machinability:

Machinability of Ferrous Metals

78

Steels (cont)

- **Free-machining steels:** contain *sulfur + phosphorus*

Sulfur forms: manganese sulfide inclusions

- Important to choose size, shape, distribution of inclusions
- These act as stress raisers in primary shear zone
- ⇒ chips are small, break easily (i.e. machinability ↑)

Phosphorus has two major –desirable– effects

1. Strengthens ferrite ⇒ better chip formation, surface finish ↑
 2. Increases hardness ⇒ short (non-continuous chips)
- Note, soft steels have low machinability since have tendency to form BUE ⇒ poor surface finish

Machinability:

Machinability of Ferrous Metals

79

Steels (cont)

- **Leaded steels** (e.g. 10L45 steel)
 - high percentage of lead solidifies at the tips of manganese sulfide inclusions
 - Lead acts as a *solid* lubricant (due to low shear strength) at tool-chip interface during cutting
 - It also acts: *liquid* lubricant when temp. is high in front of tool
 - It also ↓ shear stress at primary shear zone ⇒ ↓ forces and ↓ power consumption
 - Lead is, however, dangerous environmental toxin ⇒ there's trend to eliminate use of lead in steel: “**lead-free steels**”
 - Good substitutes: **bismuth**, **tin** (but performance is lower)

Machinability:

Machinability of Ferrous Metals

80

Steels (cont)

□ Calcium-deoxidized steels

- they contain oxide flakes of calcium silicates (CaSO)
- these reduce the strength of the secondary shear zone
- they also decrease tool–chip interface friction and wear
- \Rightarrow temp. increases are lower \Rightarrow less crater wear (why?)

□ Alloy steels

- They have a large variety of compositions and hardnesses
- \Rightarrow machinability can't be generalized
- but they have higher hardness and other properties
- Can be used to produce good surface finish, integrity, dimensional accuracy

Machinability:

Machinability of Ferrous Metals

81

Effects of Various Elements in Steels

- Presence of *aluminum* and *silicon* is harmful in steels
 - Reason: combine with oxygen to form aluminum oxide and silicates, which are hard and abrasive
 - ⇒ tool wear increases and machinability is reduced
- Note that as machinability↑, other properties may ↓
 - e.g. lead causes *embrittlement* of steel at high temp. (although has no effect at room temp.)
 - e.g. sulfur can reduce hot workability of steel

Machinability:

Machinability of Ferrous Metals

82

Stainless Steels

- *Austenitic* (300 series) steels are difficult to machine (needs machine tool with high stiffness to avoid chatter)
- *Ferritic* stainless steels (also 300 series) have good machinability
- *Martensitic* (400 series) steels are abrasive, tend to form BUE
- *Precipitation-hardening* stainless steels: strong and abrasive, ⇒ require hard, abrasion-resistant tool

Cast Irons

- *Gray irons*: machinable, but abrasive (esp. *pearlite*)
- *Nodular, malleable* irons: machinable with hard materials

Machinability:

Machinability of Nonferrous Metals

83

□ **Aluminum**

- very easy to machine
- but softer grades: form BUE \Rightarrow poor surface finish
- \Rightarrow recommend high cutting speeds, high rake and relief angles

□ **Beryllium**

- requires machining in a controlled environment
- this is due to toxicity of fine particles produced in machining

□ **Cobalt-based alloys**

- abrasive and work hardening
- require sharp, abrasion-resistant tool materials, and low feeds and speeds

□ **Copper**

- can be difficult to machine because of BUE formation

Machinability:

Machinability of Nonferrous Metals

84

- **Magnesium**
 - very easy to machine, good surface finish, prolonged tool life
 - Caution: high rate of oxidation and fire danger
- **Titanium and its alloys**
 - have very poor thermal conductivity
 - ⇒ high temp. rise and BUE ⇒ difficult to machine
- **Tungsten**
 - brittle, strong, and very abrasive
 - ⇒ machinability is low
- **Zirconium**
 - Good machinability
 - Requires cooling cutting fluid (danger of explosion, fire)

Machinability:

Machinability of Miscellaneous Materials

85

□ **Thermoplastics**

- Machining requires sharp tools with positive rake angles, large relief angles, small depths of cut and feed and high speeds
- Cooling also required to keep chips from sticking to tools

□ **Polymer-matrix composites:**

- Very abrasive \Rightarrow difficult to machine
- Also, requires careful handling; avoid touching, inhaling fibers

□ **Metal-matrix and ceramic-matrix composites**

- can be difficult to machine depending on the properties of the matrix material and the reinforcing fibers

□ **Graphite**

- Abrasive
- Requires sharp, hard, abrasion-resistant tools

Machinability:

Machinability of Miscellaneous Materials

86

□ **Ceramics**

- Have steadily improving machinability (e.g. *nanoceramics*)
- Require appropriate processing parameters

□ **Wood**

- Properties vary with grain direction
- ⇒ type of chips and surfaces vary significantly depending on the type of wood and its condition
- Basic requirements: sharp tools, high cutting speeds

Machinability:

Thermally Assisted Machining

87

- Metals and alloys that are hard to machine at room temp. can be machined at higher temp.
- *Thermally assisted machining (hot machining)*
 - a source of heat is focused onto an area just ahead of the cutting tool (e.g. steels hot machined at 650°-750°)
 - e.g. of heat source: torch, electric current, laser-beam
 - Generally difficult and complicated to perform in plants
- Advantages of hot machining are:
 1. Reduced cutting forces
 2. Increased tool life
 3. Higher material-removal rates
 4. Reduced tendency for vibration and chatter