



Manufacturing Processes (2), IE-352
Ahmed M El-Sherbeeney, PhD
Fall 2015

Manual Process Planning

Chapter Outline

2

1. Introduction
2. Manual Process Planning
3. Process Plan
4. Part Features Identification and Processes Selection
5. Processes Sequencing



Introduction

3

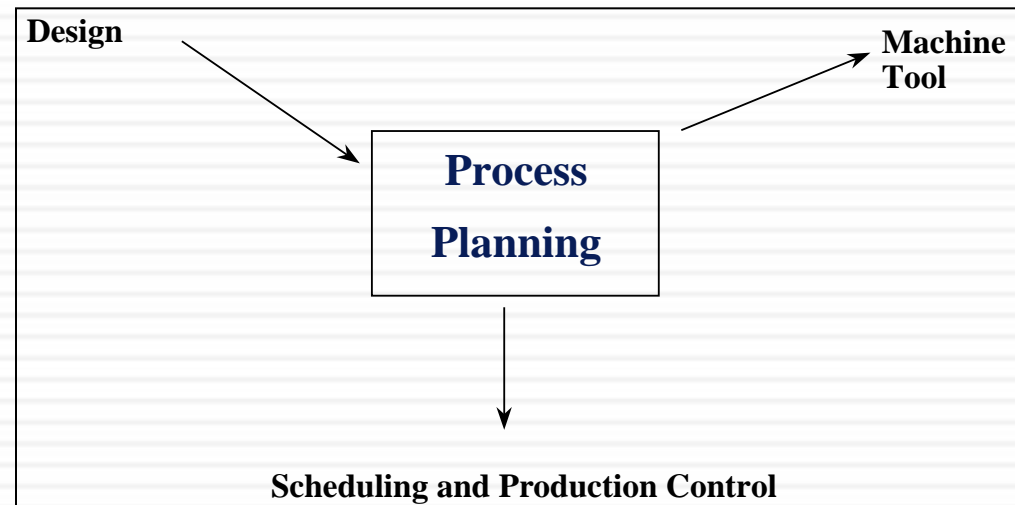
Process Planning

□ Known as:

- ▣ manufacturing planning
- ▣ material processing
- ▣ process engineering
- ▣ machine routing

□ Definition:

- ▣ act of preparing detailed work instructions to produce a part
- ▣ it's a function within the manufacturing facility (see figure)
- ▣ establishes processes and parameters used to convert part from initial form to final form
- ▣ predetermined in an engineering drawing
- ▣ person who develops process plan: often called process planner



Introduction

4

- Functions included in process planning:
 - ▣ Raw material preparation
 - ▣ Processes selection
 - ▣ Process sequencing
 - ▣ Machining parameter selection
 - ▣ Tool path planning
 - ▣ Machine selection
 - ▣ Fixture selection

Introduction

- Factors Affecting Process Plan Selection:
 - ▣ Shape
 - ▣ Tolerance
 - ▣ Surface finish
 - ▣ Size
 - ▣ Material type
 - ▣ Quantity
 - ▣ Value of the product
 - ▣ Urgency
 - ▣ Manufacturing system itself
- Two approaches to carry out task of process planning:
 - ▣ Manual Process Planning
 - ▣ Computer Aided Process Planning (CAPP)



Manual Process Planning

6

- Process planner must have following knowledge:
 - ▣ Ability to interpret an engineering drawing
 - ▣ Familiarity with manufacturing processes and practice
 - ▣ Familiarity with tooling and fixtures
 - ▣ Know what resources are available in the shop
 - ▣ Know how to use reference books (e.g. machinability data handbooks)
 - ▣ Ability to do computations on machining time and cost
 - ▣ Familiarity with raw materials

Manual Process Planning

7

- Some necessary steps to prepare a process plan
 1. Study overall shape of part \Rightarrow identify features, all critical dimensions
 2. Thoroughly study the drawing; try to identify all manufacturing features and notes
 3. Determine best raw material shape to use if raw stock not given
 4. Identify datum surfaces; Use information on datum surfaces to determine the setups
 5. Select machines for each setup.
 6. Determine rough sequence of operations necessary to create all the features for each setup



Process Plan

8

- Process Plan AKA (among others):
 - ▣ operation sheet
 - ▣ route sheet
 - ▣ operation planning summary

- Detailed plan contains:
 - ▣ route
 - ▣ processes
 - ▣ process parameters
 - ▣ machine and tool selections
 - ▣ fixtures

Process Plan

- The level of details in the plan depends on the application:
 - ▣ **Operation:** a process
 - ▣ **Operation Plan (*Op-plan*):** description of an operation
 - includes tools, machines to be used, process parameters, machining time, etc.
 - ▣ **Op-plan sequence:** Summary of a process plan

Process Plan:

Examples of Process Plans

10

Route Sheet		by: T.C. Chang
Part No. S1243		
Part Name: Mounting Bracket		
workstation	Time(min)	
1. Mtl Rm		
2. Mill02	5	
3. Drl01	4	
4. Insp	1	

Rough plan

Detailed plan

PROCESS PLAN					ACE Inc.
Part No. S0125-F		Material: steel 4340Si			
Part Name: Housing					
Original: S.D. Smart		Date: 1/1/89	Changes:		Date:
Checked: C.S. Good		Date: 2/1/89	Approved: T.C. Chang		Date: 2/14/89
No.	Operation Description	Workstation	Setup	Tool	Time (Min)
10	Mill bottom surface1	MILL01	see attach#1 for illustration	Face mill 6 teeth/4" dia	3 setup 5 machining
20	Mill top surface	MILL01	see attach#1	Face mill 6 teeth/4" dia	2 setup 6 machining
30	Drill 4 holes	DRL02	set on surface1	twist drill 1/2" dia 2" long	2 setup 3 machining

Part Features Identification and Processes Selection



11

- A wide variety of manufacturing processes are used to produce a workpiece
- These processes can be classified as:
 - ▣ Casting processes
 - ▣ Forming and shaping processes
 - ▣ Machining processes
 - ▣ Joining processes
 - ▣ Finishing processes

Part Features Identification and Processes Selection

12

- Machining processes
 - Drilling
 - drilling, counterering, countersinking, deep-hole drilling, etc.
 - Boring
 - Tapping
 - Milling
 - face milling, end milling
 - Turning
 - facing, straight turning, taper turning, parting, etc.
 - Threading

Part Features Identification and Processes Selection

13

- Features that must be considered in selecting machining processes include:
 - ▣ part features
 - ▣ required dimensional and geometric accuracy and tolerance
 - ▣ required surface finish
 - ▣ available resources, including NC machines and cutting tools
 - ▣ cost

Part Features Identification and Processes Selection

14

- Part features:
 - distinctive geometric form or shape to be produced from raw material
 - it determines process type, tool types (shapes and size), machine requirements (3-, 4-, or 5-axis), and tool path
- Two types of part features
 - **Basic features**
 - simple forms/shapes that require only one machining operation
 - include holes, slots, pockets, shoulders, profiles, and angles
 - **Compound features**
 - consist of two or more basic part features
 - e.g. the combined result of two holes with different diameters

Part Features Identification and Processes Selection

15

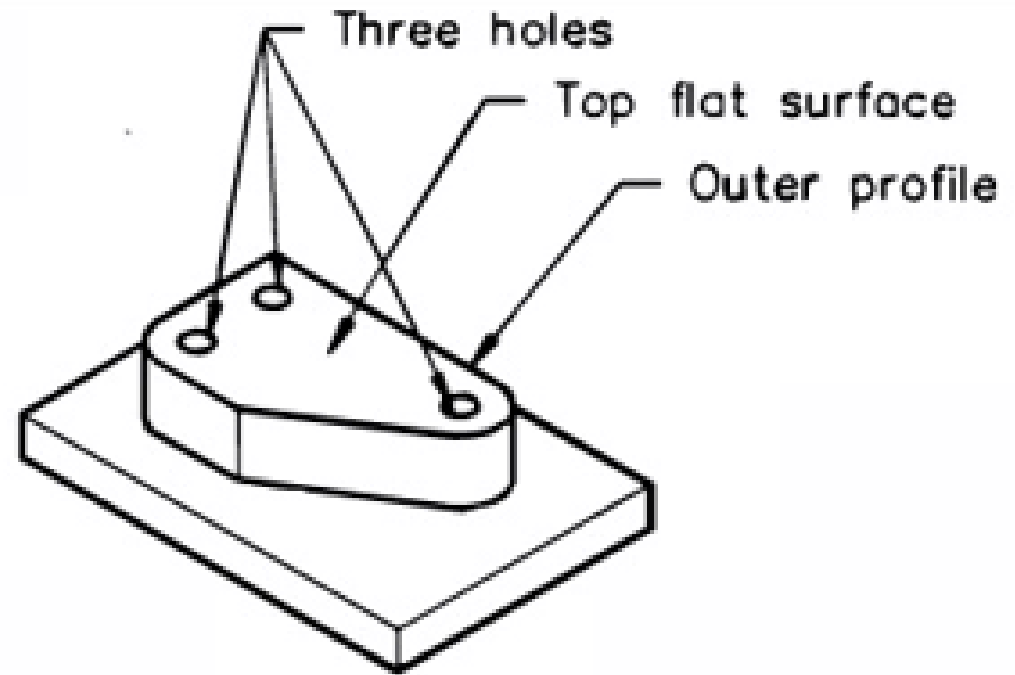
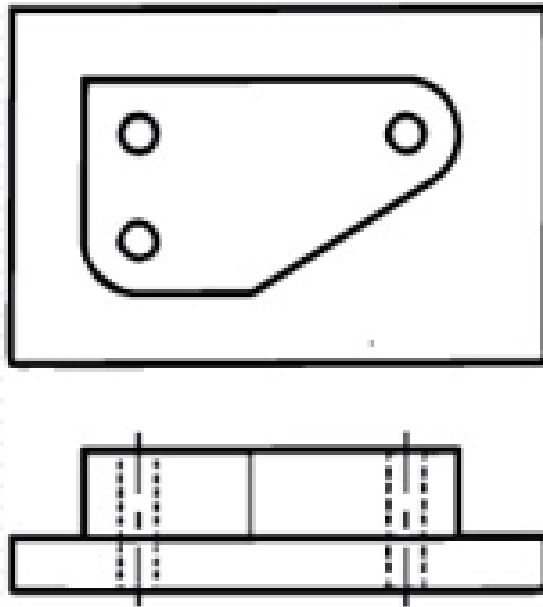
Example: Machining Processes Selection

- Select the machining processes for the part shown in the figure given in the next slide.
- Assume required dimensional accuracy and surface roughness are within process capability of drilling and milling operations.
- The four sides of the raw material have been pre-machined to required dimensions.

Part Features Identification and Processes Selection

16

Example: Machining Processes Selection (cont.)



Part Features Identification and Processes Selection

17

Example: Machining Processes Selection (cont.)

Solution:

- ▣ Top flat surface
- ▣ Outer profile
- ▣ Three holes
- Recommended machining processes for features are
 - ▣ Face-milling: the top surface
 - ▣ Rough-milling: the outer profile
 - ▣ Finish-milling: the outer profile
 - ▣ Center-drilling: the three holes
 - ▣ Drilling: the three holes



Processes Sequencing

18

Sequence of operations determined by three considerations:

1. Datum surfaces should be machined first if multiple work-holding setups required
 - If possible, datum surfaces should be pre-machined in manually operated machine to facilitate workpiece locating and clamping
 - In cases where ≥ 2 holding setups are required:
 - rough datum surfaces are preprocessed in a manually operated machine
 - then used as setup references to produce finished datum surfaces for the final work-holding
 - this ensures the accuracy of the finished part

Processes Sequencing

19

Sequence of operations determined by 3 considerations (cont.)

2. Surfaces with larger area have precedence
 - ▣ Larger surfaces tend to be more adaptable to disturbances resulting from machining operations
3. Feature interference should be avoided.
 - ▣ Feature interference occurs when machining of one feature destroys a requirement for the production of other features
 - ▣ This happens when there is interaction or dependency between machining operations

Processes Sequencing:

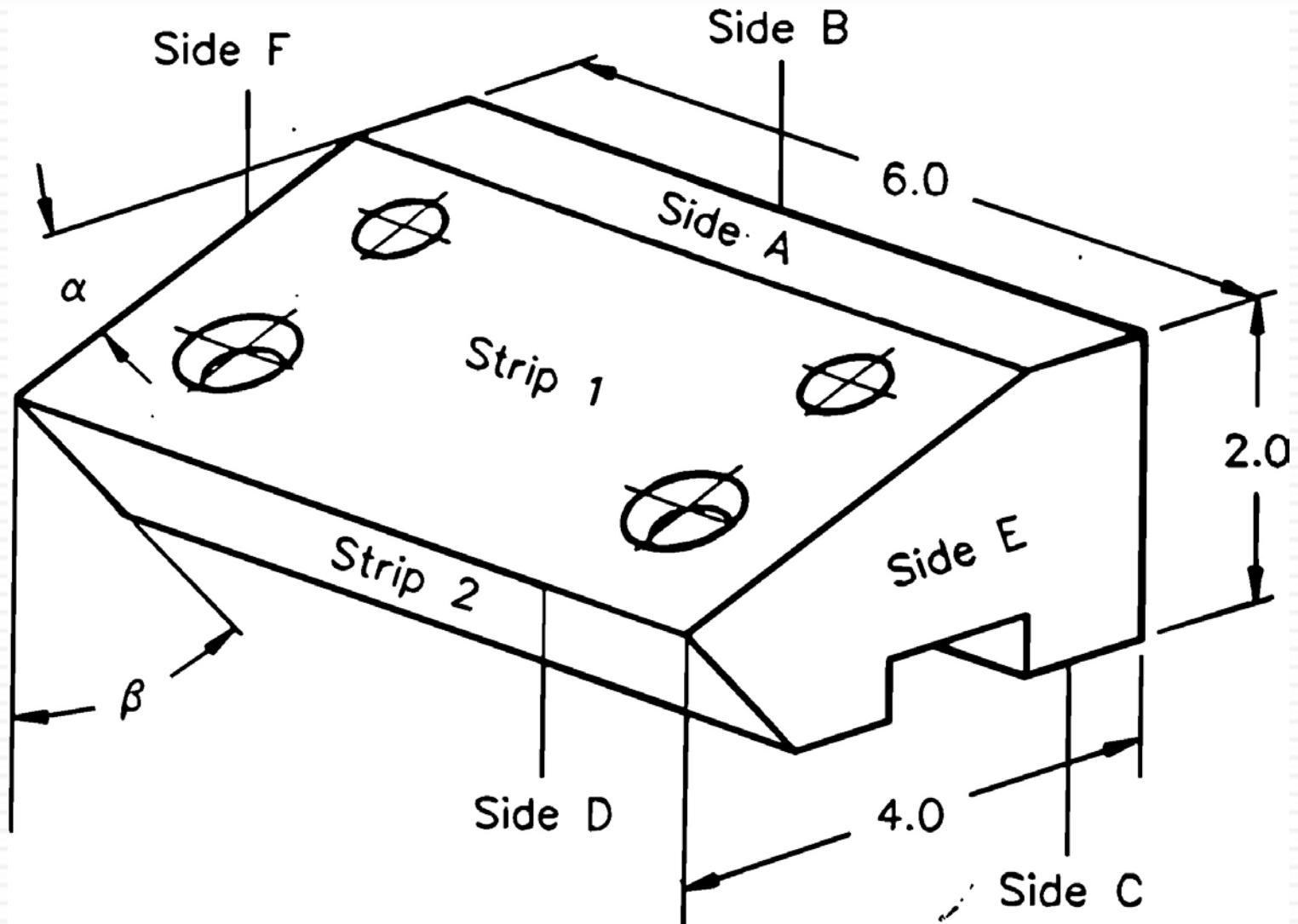
Example

20

- The figure shown in the next slide is a workpiece in which some features are interrelated.
- The workpiece has five basic features
 - ▣ a through slot in side C
 - ▣ two angle strips (strip 1, strip 2)
 - ▣ two through holes on strip 1 that are perpendicular to side A
 - ▣ compound features are two tapped holes perpendicular to strip 1
- Develop the process sequence for producing the part.

Processes Sequencing: Example (cont.)

21



Processes Sequencing: Example (cont.)

22

Solution:

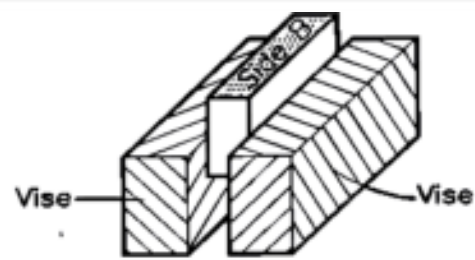
- The raw material is cut from a block stock with dimensions: 6.25 x 4.25 x 2.25 in
- Studying the part features reveals:
 - ▣ 2 through holes on strip 1 interact with the formation of angle α
 - ▣ slot in side C interacts with the cutting of angle β
- Machining angle strip 1 first \Rightarrow difficulty in drilling 2 holes
 - ▣ \Rightarrow 2 holes must be produced before angle strip 1
- Likewise, making angle strip 2 first \Rightarrow difficulty in setting up workpiece to produce the through slot
 - ▣ \Rightarrow the slot has to be machined before angle strip 2 is made

Processes Sequencing: Example (cont.)

23

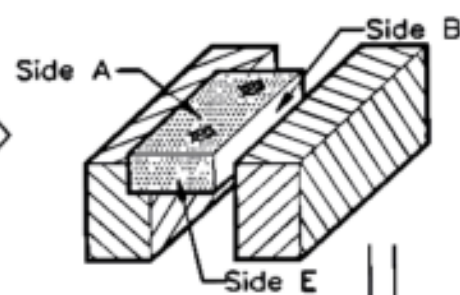
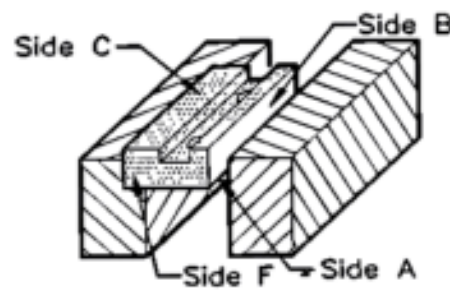
Recommended processes sequence is:

- Setup *A* for machining side *B*
- Setup *B* for:
 - machining sides *A* and *E*
 - also drilling two holes on Side *A*
- Setup *C* for:
 - machining sides *C* and *F*
 - also cutting the slot in side *C*
- Setup *D* for:
 - cutting angle strip 1
 - drilling two tap holes and tapping the two holes.
- Setup *E* for cutting angle strip 2

Setup A

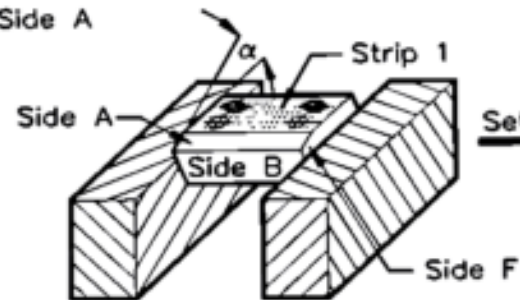
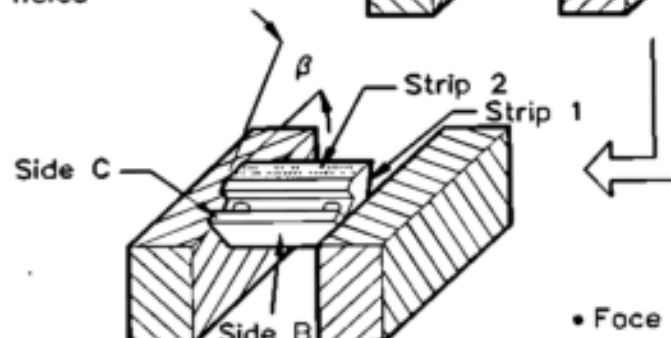
• Face side B

- Face side A
- End mill side E
- Drill two holes

Setup BSetup C

- Face side C
- End mill side F
- End mill the slot

- Face angle strip 1
- Drill two tap holes
- Tap two holes

Setup DSetup E

• Face angle strip 2