

CSC212 - Tutorial 14: Graphs

Question 1.

- Show the adjacency matrix for graph a
- Show the adjacency list for graph b
- Show the adjacency matrix and the adjacency list for graph c

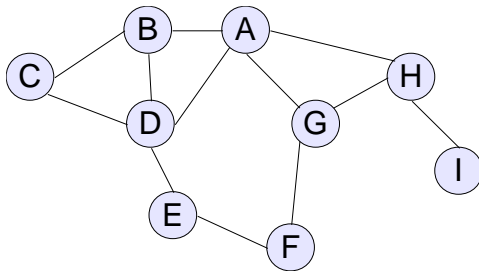


Figure 1. Graph a

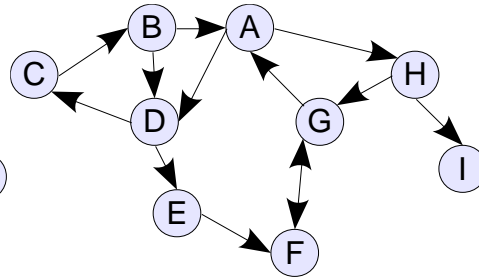


Figure 2. Graph b

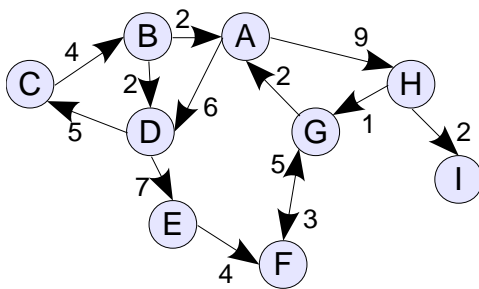


Figure 3. Graph c

Question 2.

Draw the graphs represented by the following adjacency- matrix/list

Table 1. Graph a

	A	B	C	D	E	F
A	0	1	2	3	0	0
B	2	0	3	4	5	0
C	3	3	0	0	3	0
D	4	7	0	0	0	1
E	0	3	0	0	0	5
F	0	0	2	3	9	0

DRAFT

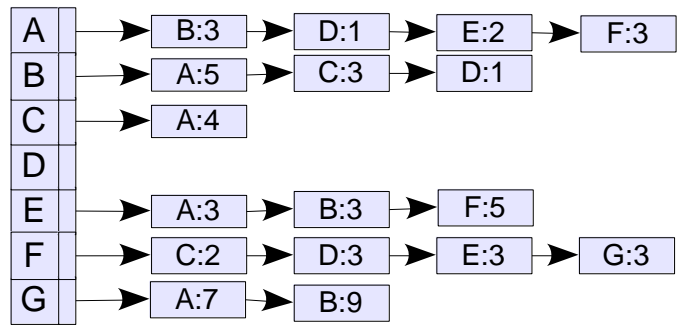


Figure 4. Graph b