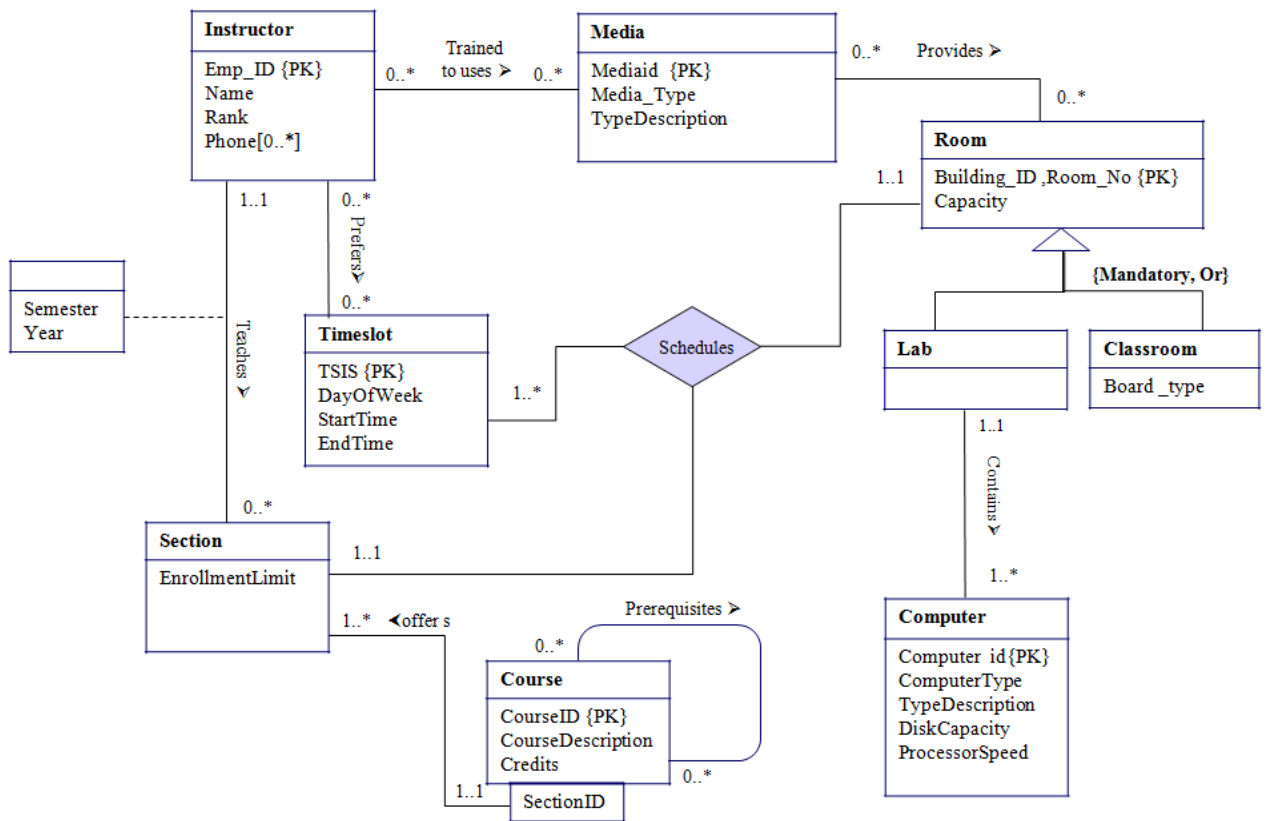


Q1. Map the EER model of the following databases, solved in assignment #1, to a relational model. Show all integrity types (Clarify your answer by underline the Primary key, and dotted line the Foreign Key.)

(a) International School of Technology



Instructor(Emp ID , name, rank)

Phone (phoneNo, Emp Id)

Section (sectionID, CourseID, EmpID,
EnrollmentLimit, semester, year)

Preference (EmpID, TSIS)

TimeSlot(TSIS, DOW, ST, ET)

Trained_instructor (EmpID, MediaID)

Media (MediaID, MT,TD)

Media-Room(MediaID, BID, RNo)

Lab (BID, RNO, Capacity)

Classroom (BID, RNO, capacity, Board_Type)

Computer (CID, CT,TD,DC,PS, BID,RNO)

Scheduling-Room

(BID, RID, TSIS, SID,CourseID)

Course (CID, CD, credits)

RequiredCourse (CourseID, RequiredCourseID)

