

IE-352

Section 1, CRN: 48700/1/2

Section 2, CRN: 48703/4/5

Section 3, CRN: 48706/7/8

Second Semester 1434-35 H (Spring-2014) – 4(4,1,2)

“MANUFACTURING PROCESSES – 2”

Tuesday, February 25, 2013 (25/04/1435H)

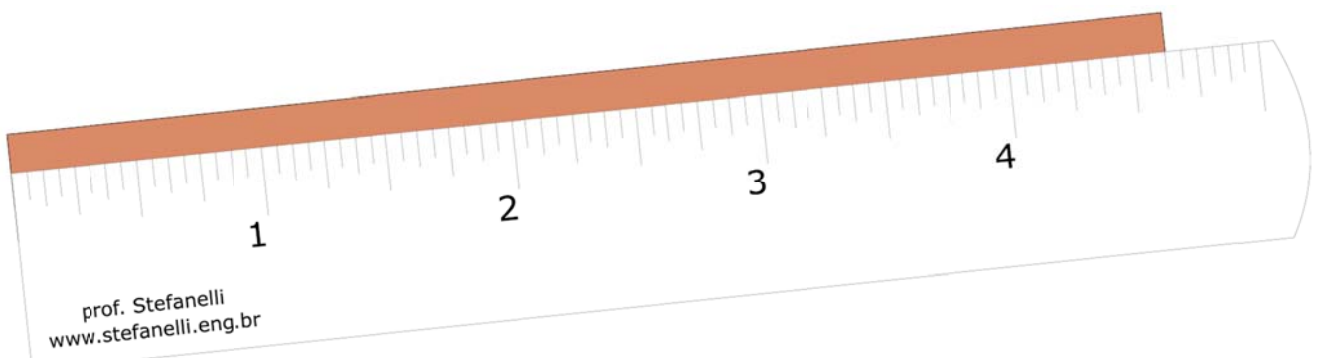
Homework 1

Name:	Student Number:	Section:
	4	11:00 / 1:00

Read the following gages and write the values in the provided box.

[14 Questions; 0.75 Point Each].

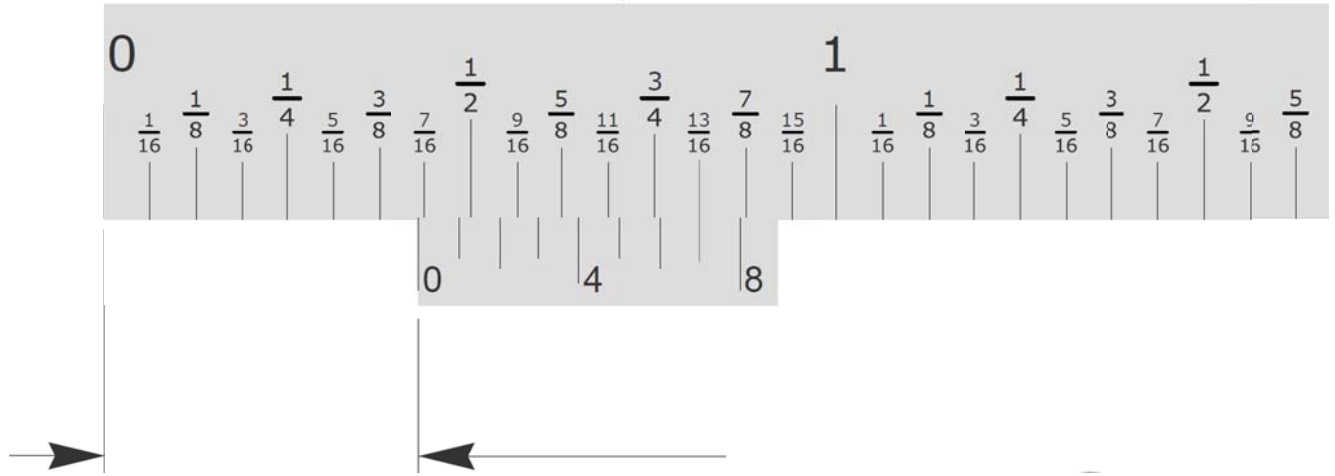
1.



Q1. ANSWER:

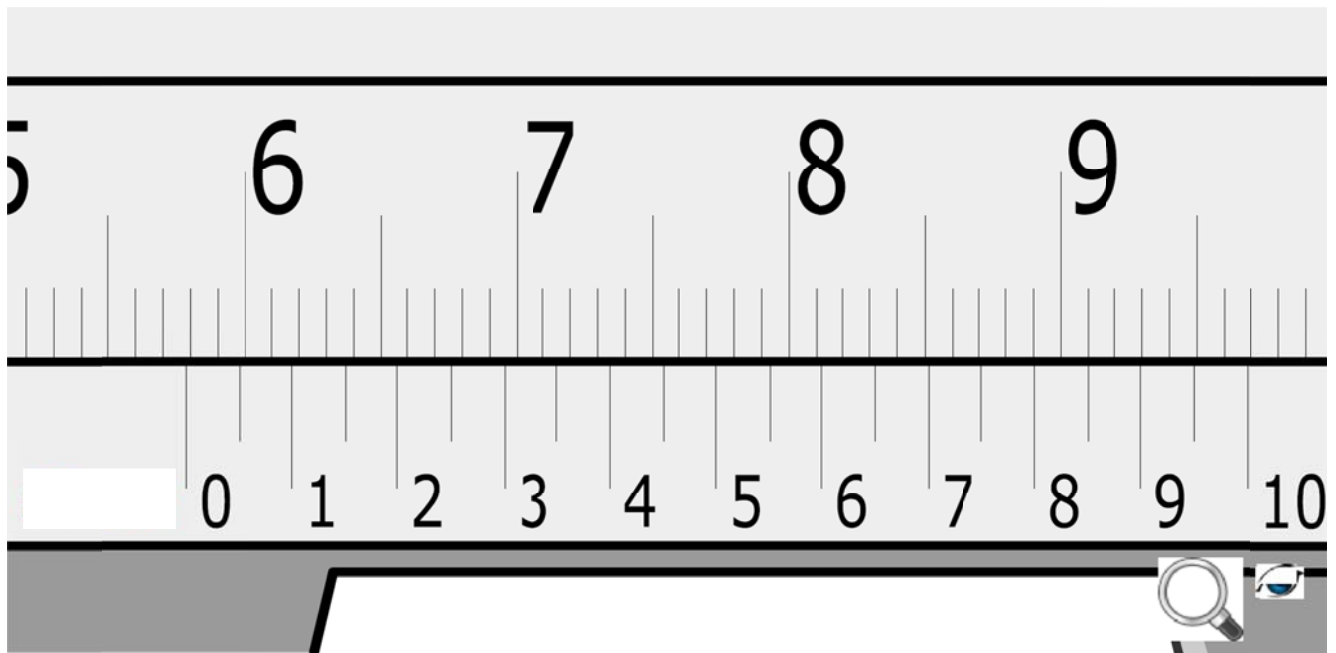
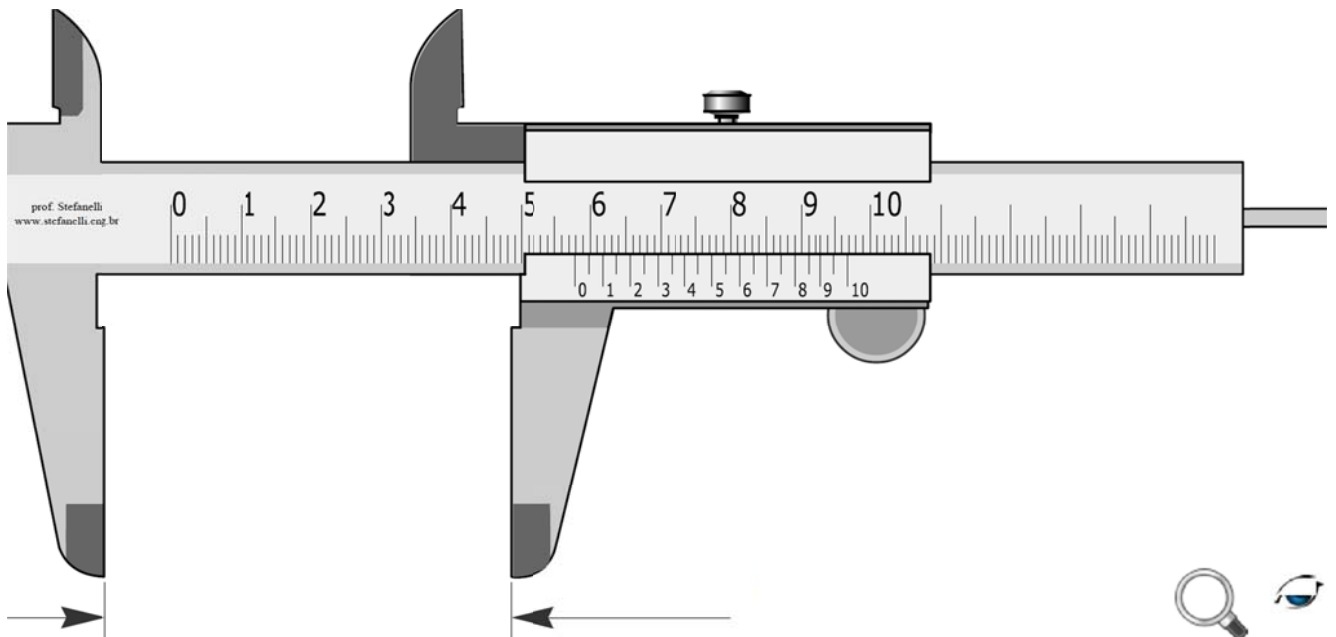
2.

Prof.: Eduardo J. Stefanelli - www.stefanelli.eng.br



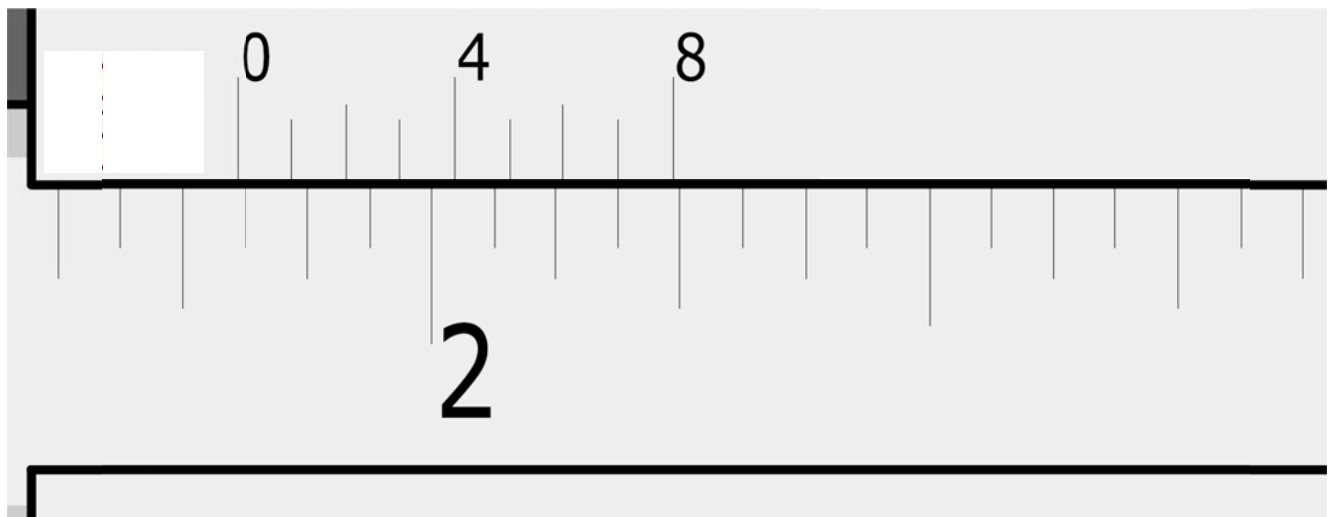
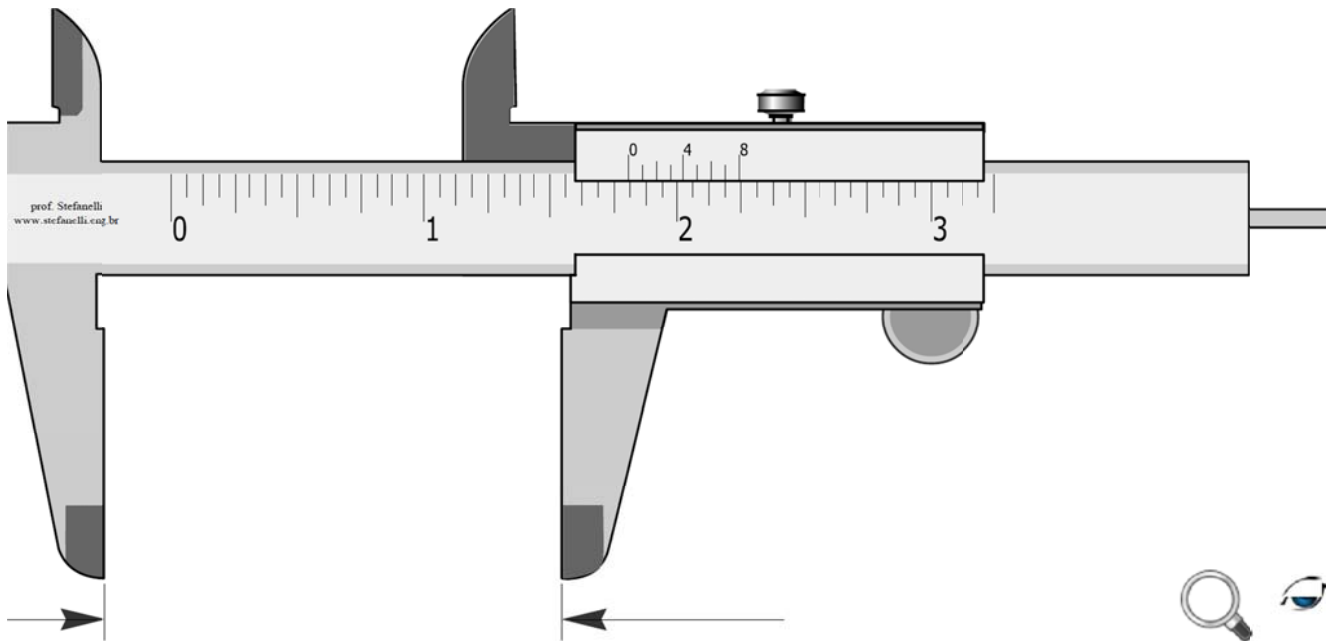
Q2. ANSWER:

3.



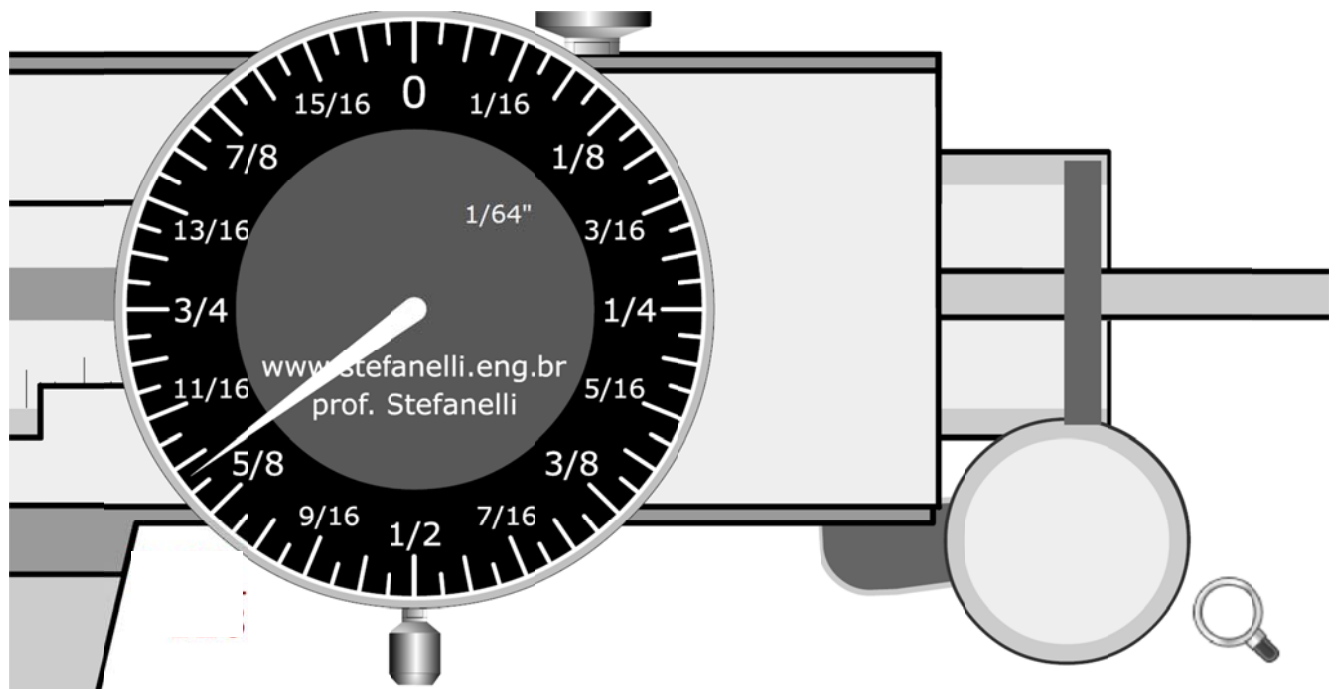
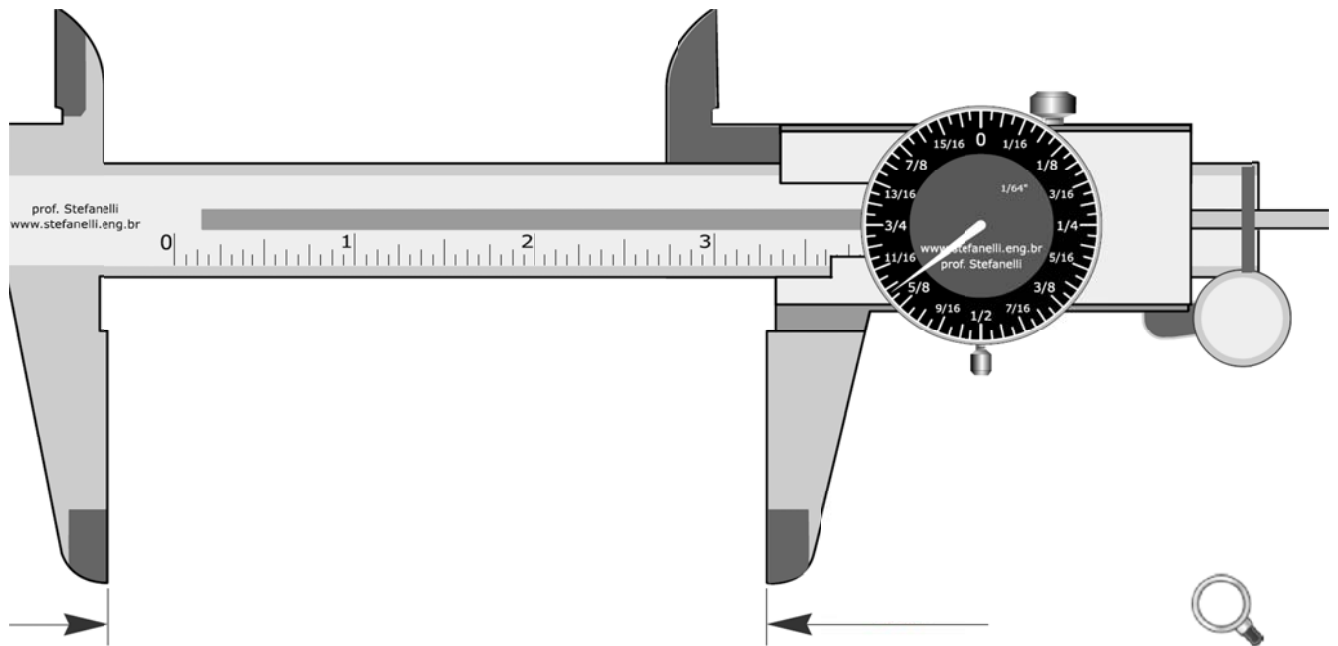
Q3. ANSWER:

4.



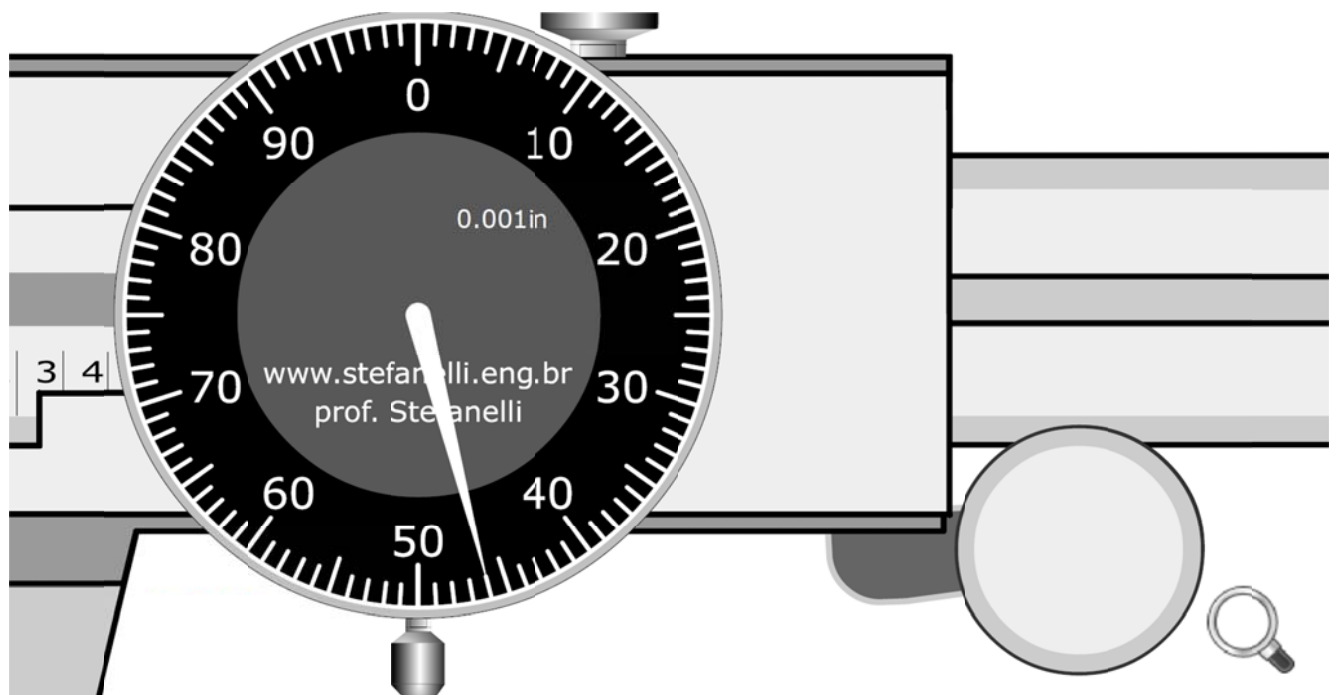
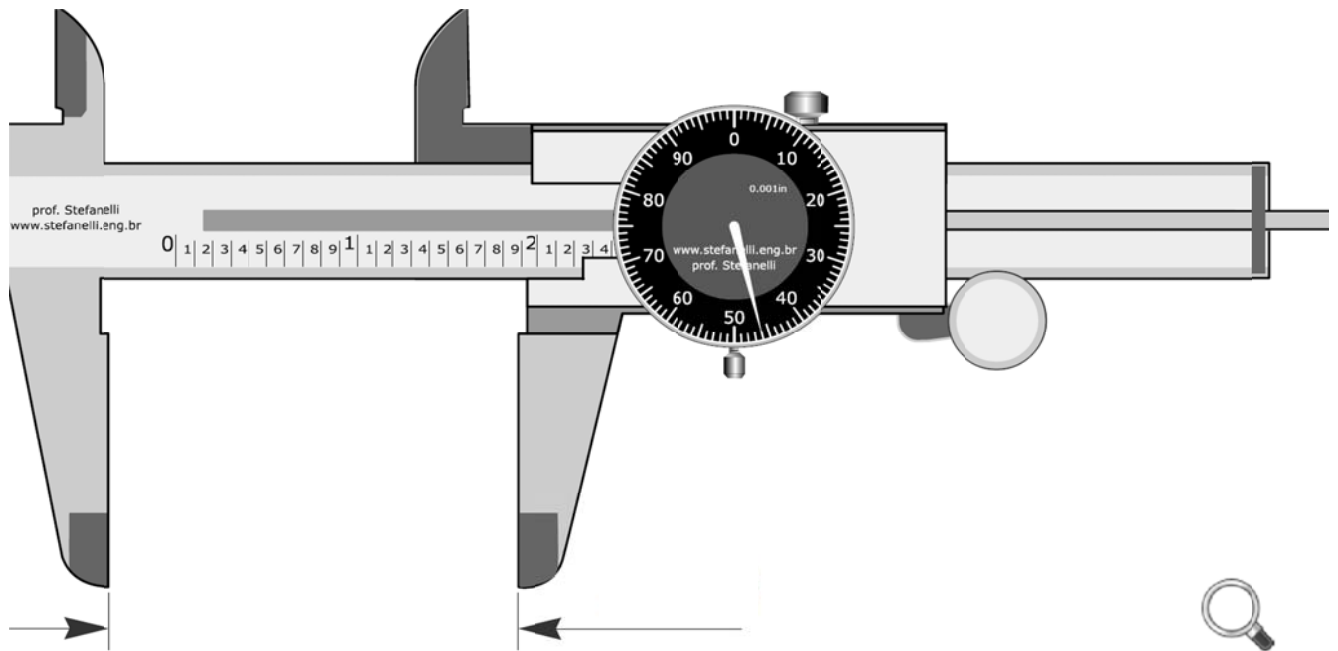
Q4. ANSWER:

5.



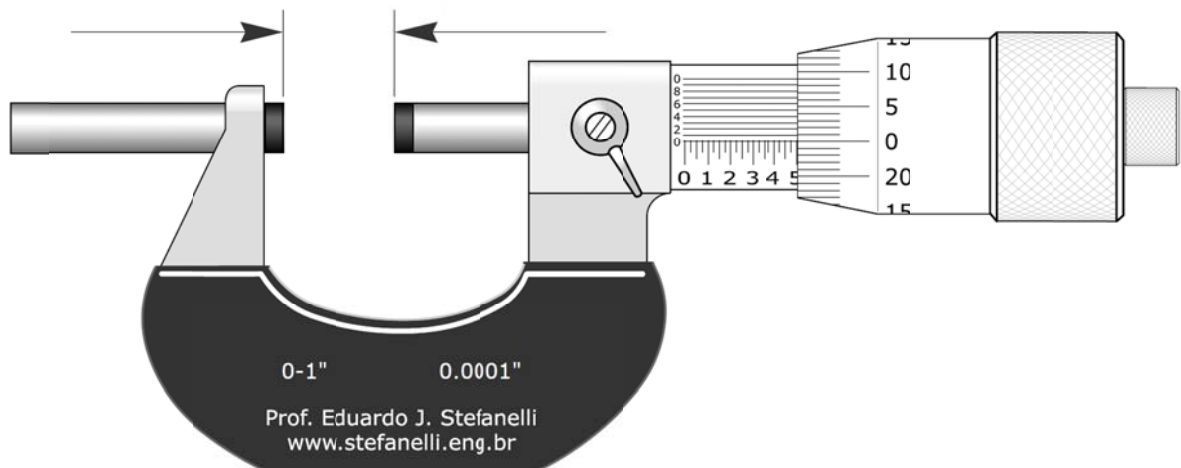
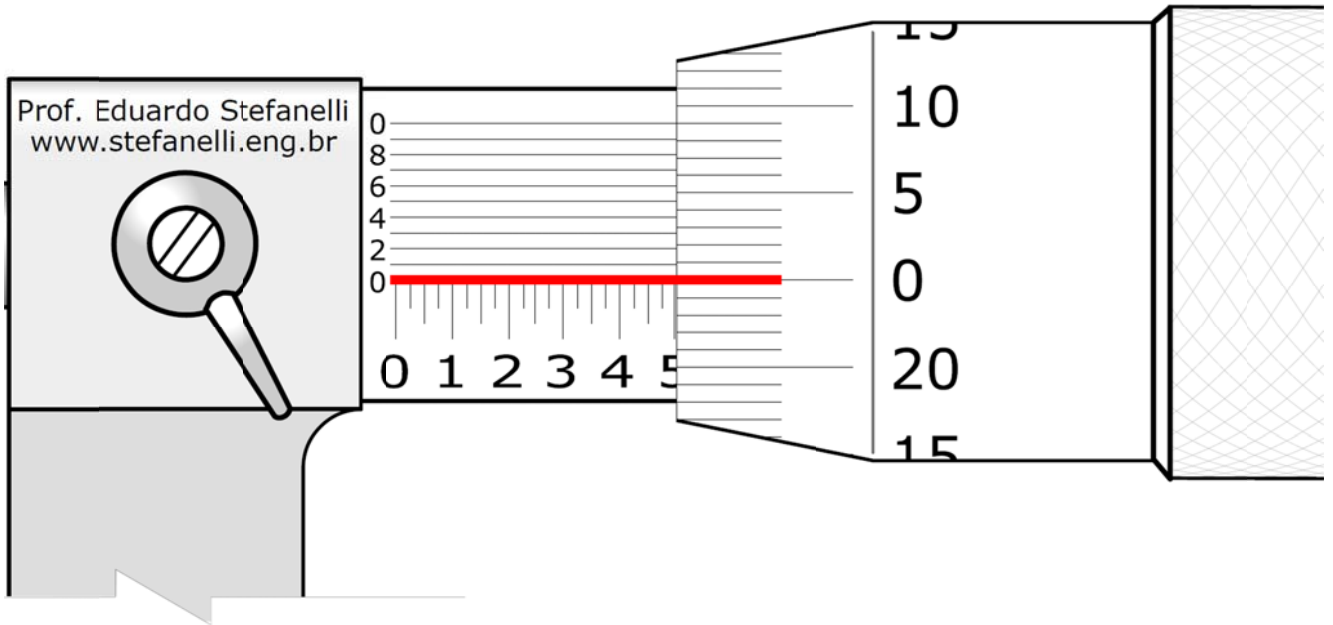
Q5. ANSWER:

6.



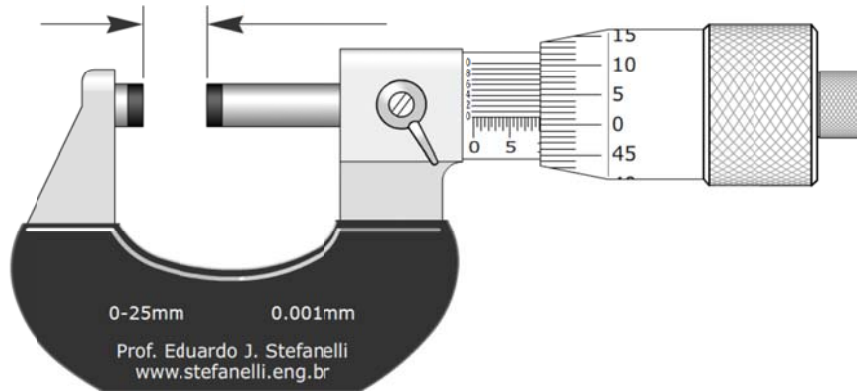
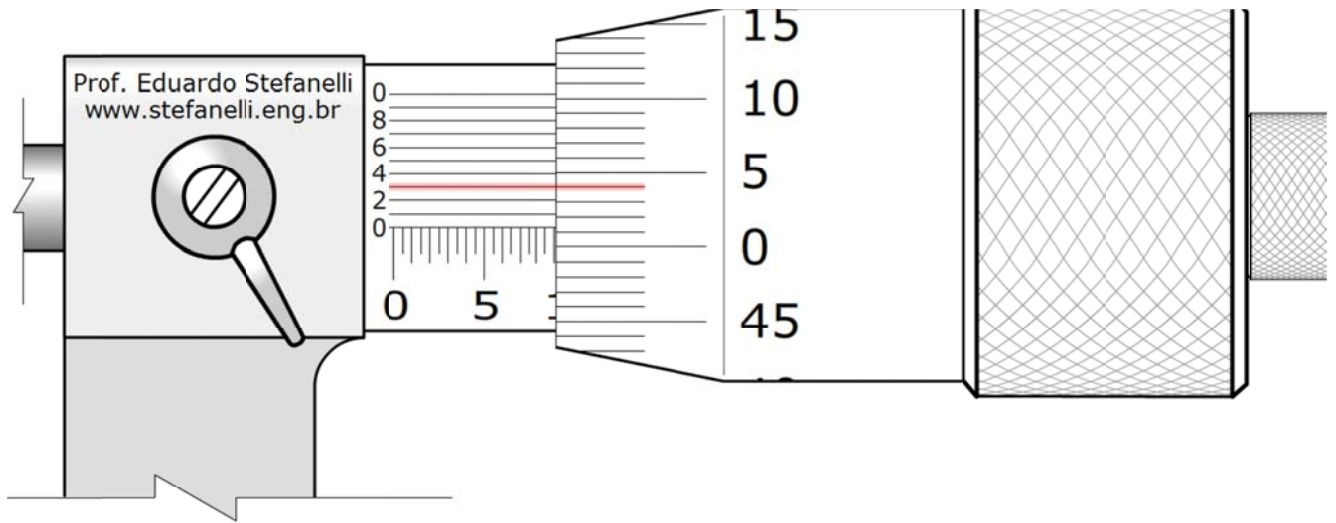
Q6. ANSWER:

7.



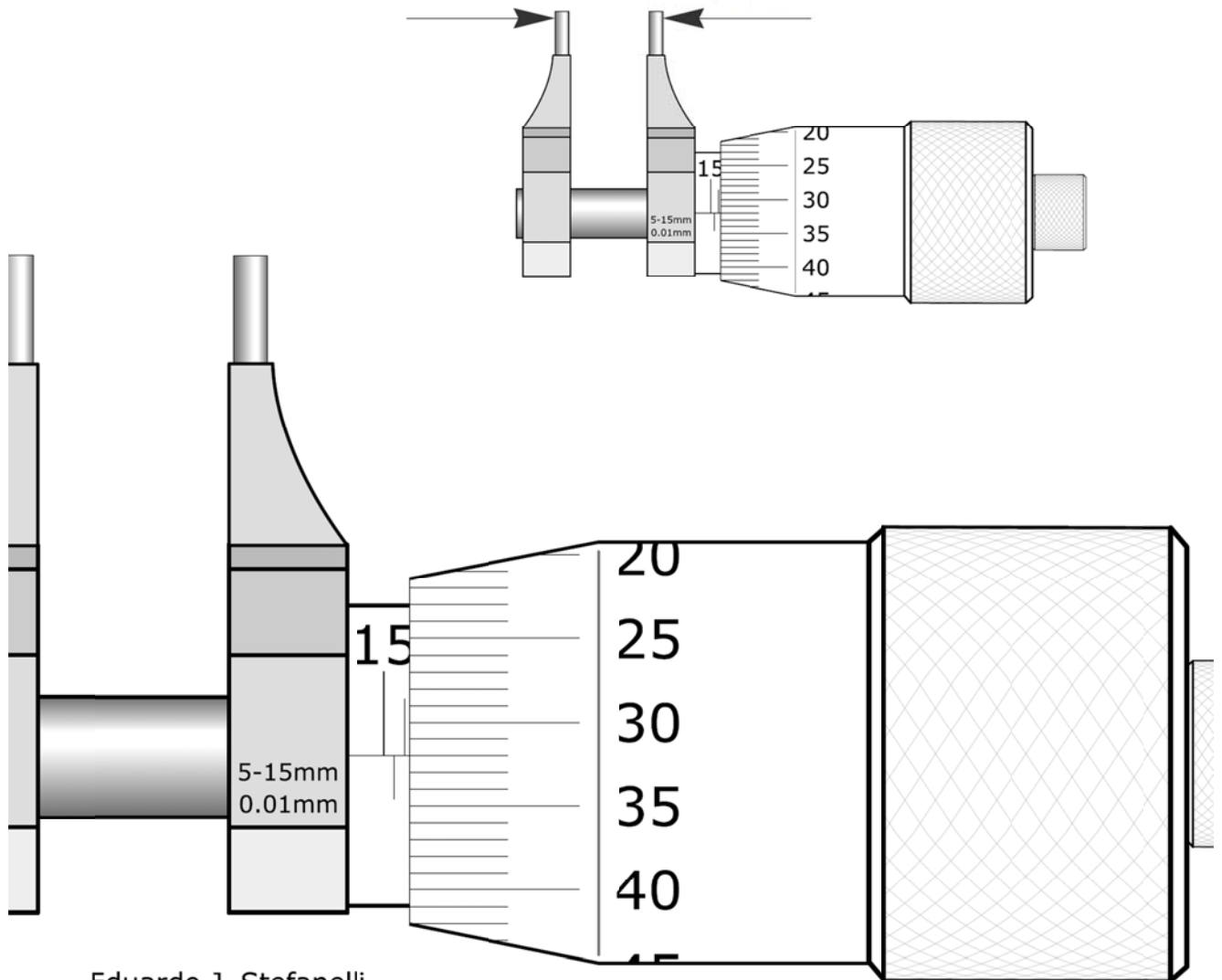
Q7. ANSWER:

8.



Q8. ANSWER:

9.



Eduardo J. Stefanelli
www.stefanelli.eng.br

Q9. ANSWER:

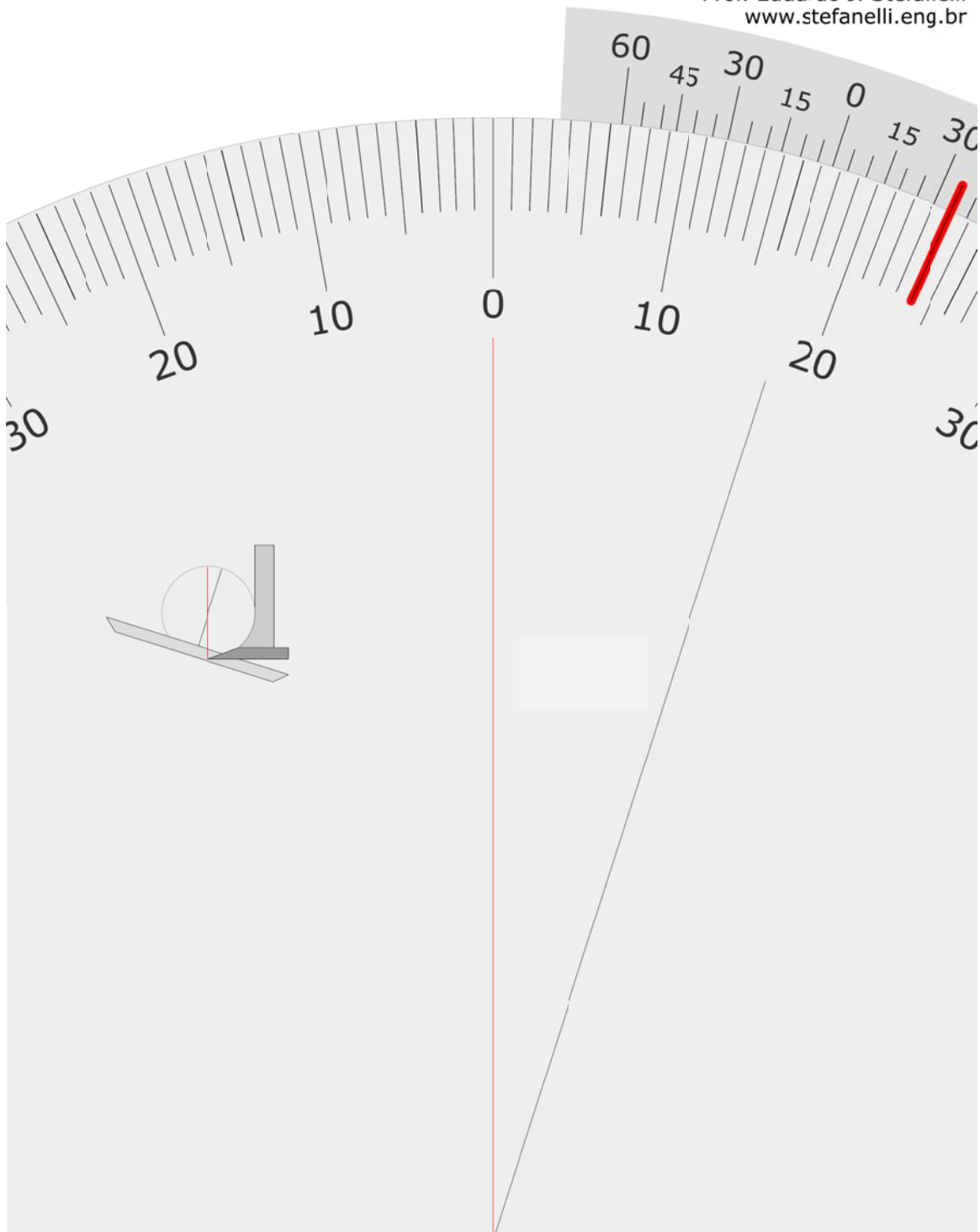
10.



Q10. ANSWER:

11.

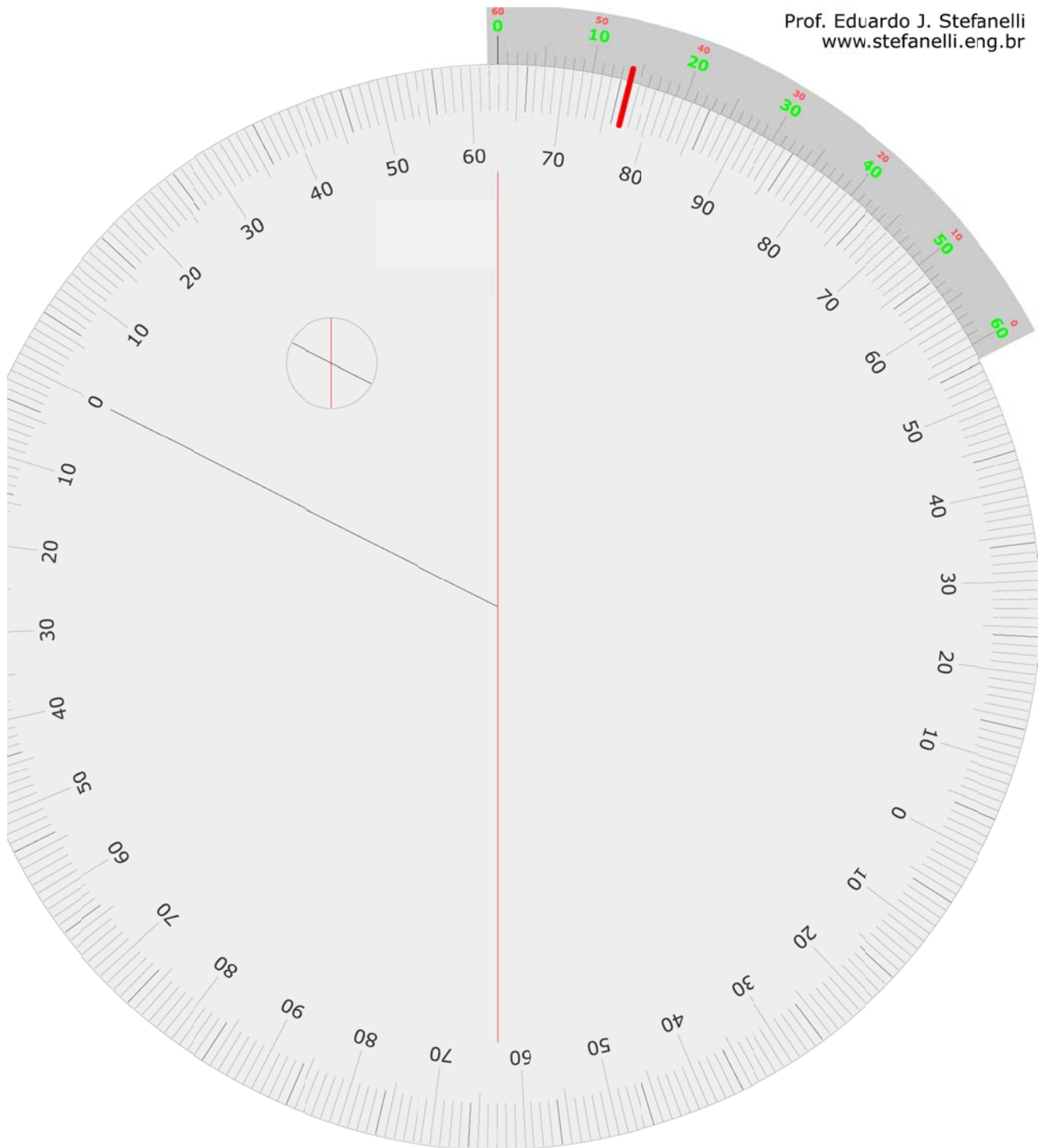
Prof. Eduardo J. Stefanelli
www.stefanelli.eng.br



Q11. ANSWER:

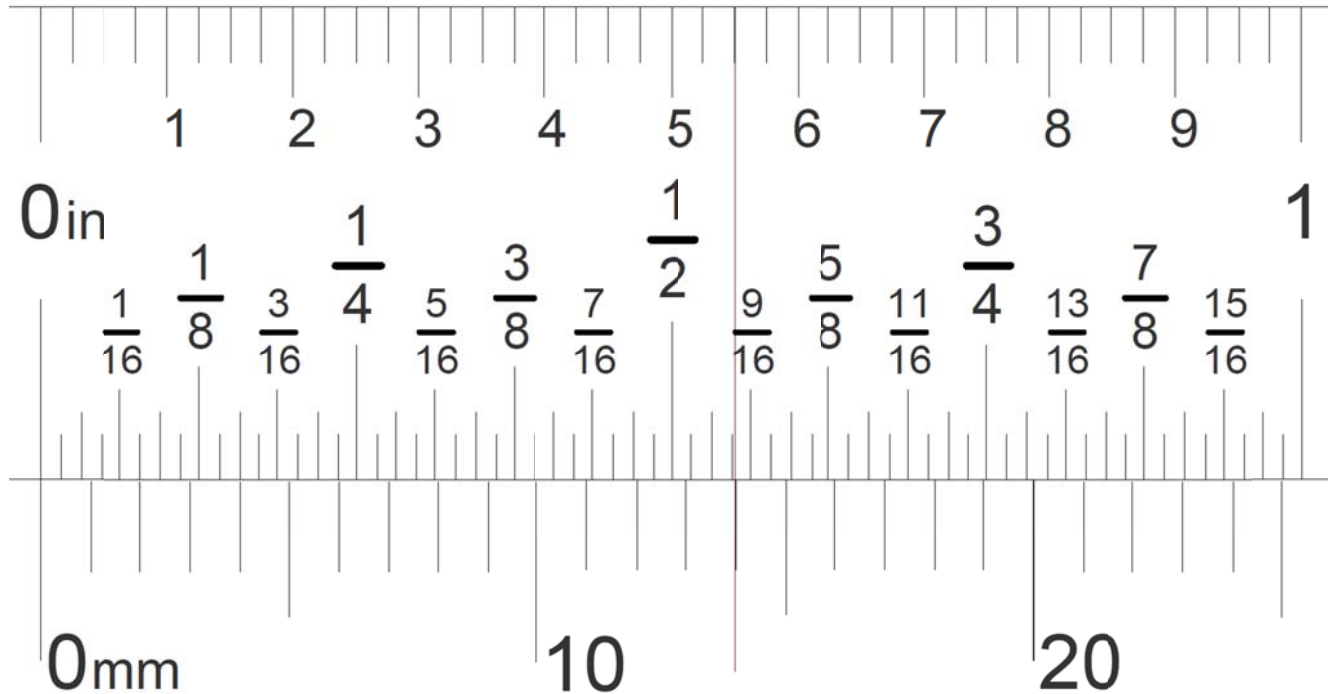
12.

Prof. Eduardo J. Stefanelli
www.stefanelli.eng.br



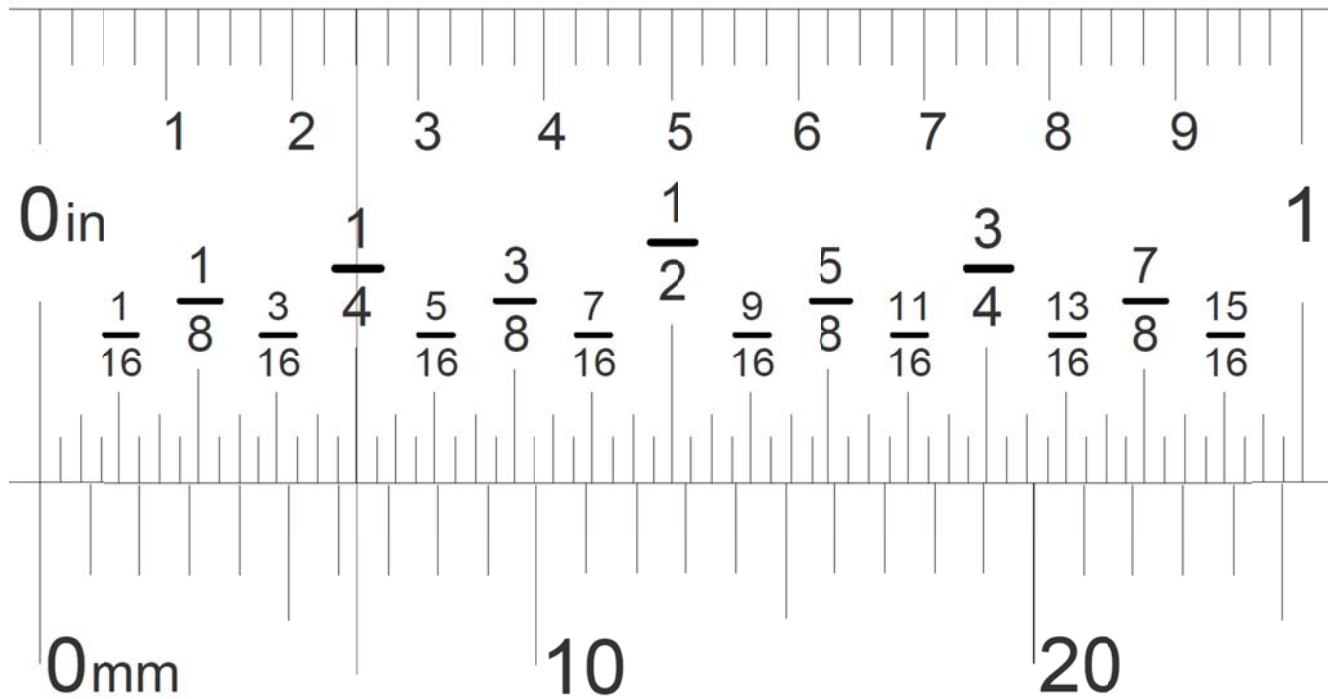
Q12. ANSWER:

13. What is the reading indicated by the red line below in *in.* (fractional and decimal forms)?



Q13. ANSWER:

14. What is the reading indicated by the red line below in *mm*?



Q14. ANSWER:



Rules:

- You must prepare and submit the homework **individually**.
- Your work must be **neatly written** in pencil (or typed) and in **proper English** (where applicable).
- **Show all work**, and answer each question on a **separate sheet**.
- **BOX** your answer(s) and include the **units**.
- Due date (beginning of class; NO late homework will be accepted):
 - **Tuesday, March 04, 2014 (S2)**, 2014 (03/05/1435)
 - **Wednesday, March 05, 2014 (S1,S3)**, 2014 (04/05/1435)