

IE-352
Section 1, CRN: 48700/1/2
Section 2, CRN: 48706/7/8
Second Semester 1435-36 H (Spring-2015) – 4(4,1,2)
“MANUFACTURING PROCESSES – 2”

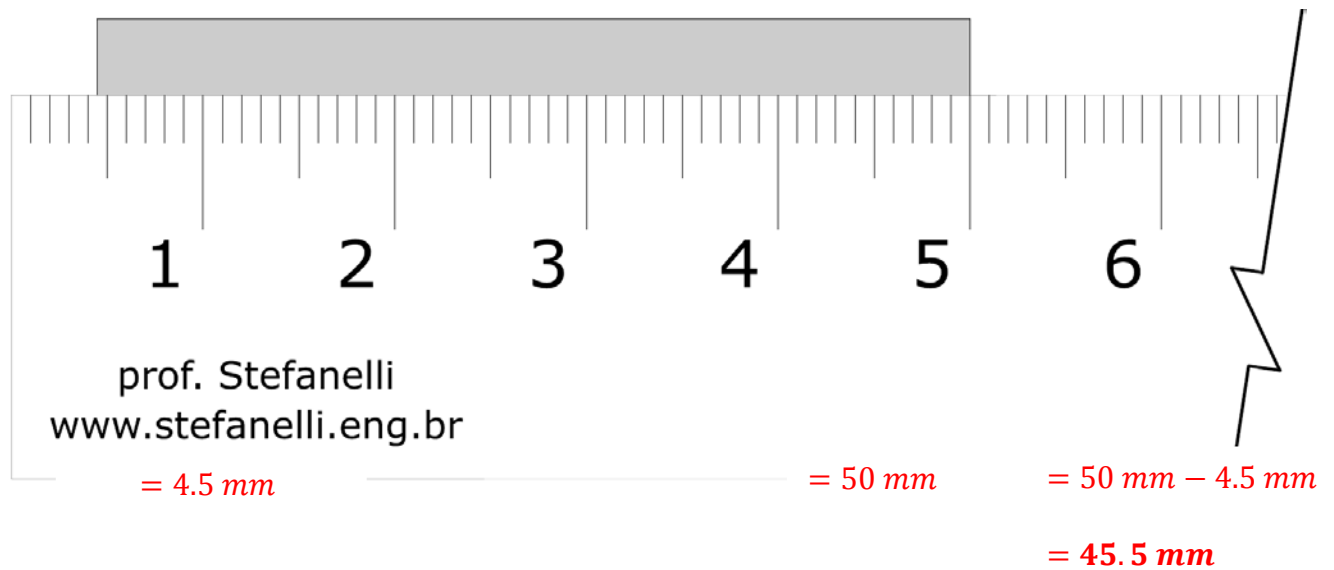
Monday, February 23, 2015 (04/05/1436H)

HW 1 ANSWERS

Name: AHMED M. EL-SHERBEENY, PhD	Student Number: 4	Section: 10 / 11
--	----------------------	---------------------

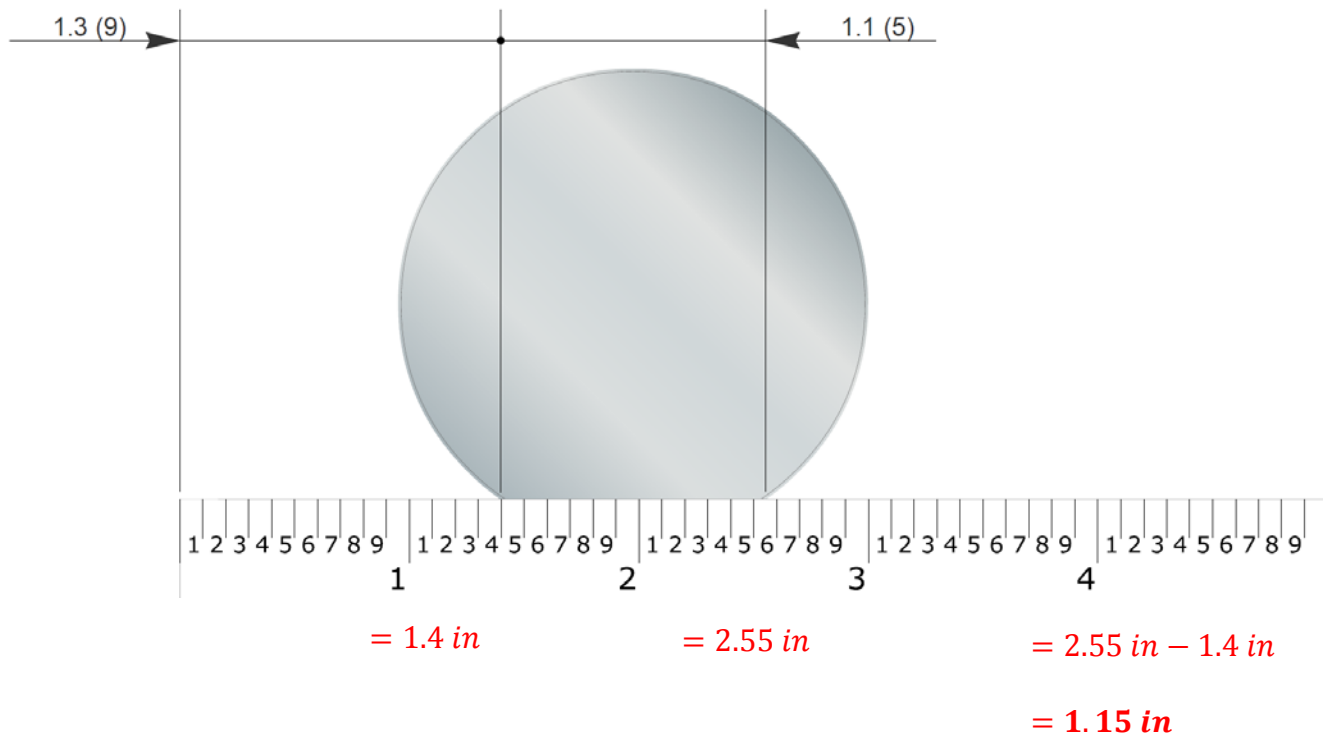
Read the following gages and write the values in the provided box.
[14 Questions; 0.75 Points each]

1.



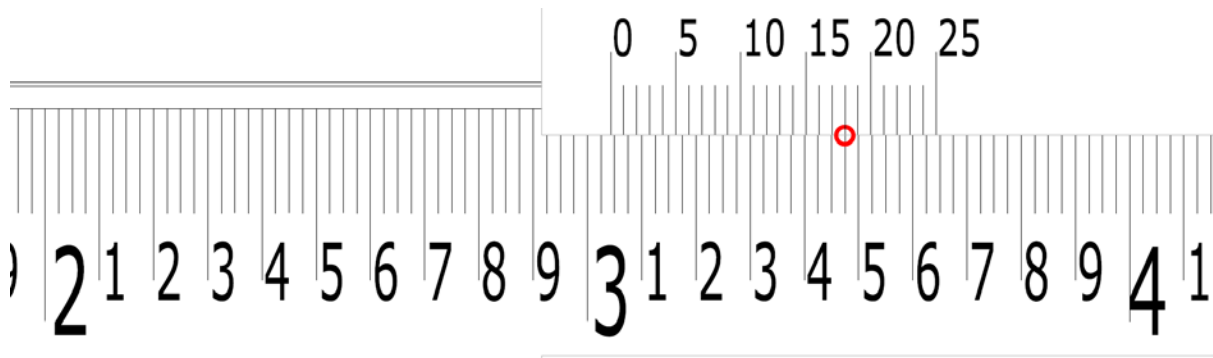
Q1. ANSWER: **45.5 mm**

2.



Q2. ANSWER: **1.15 in**

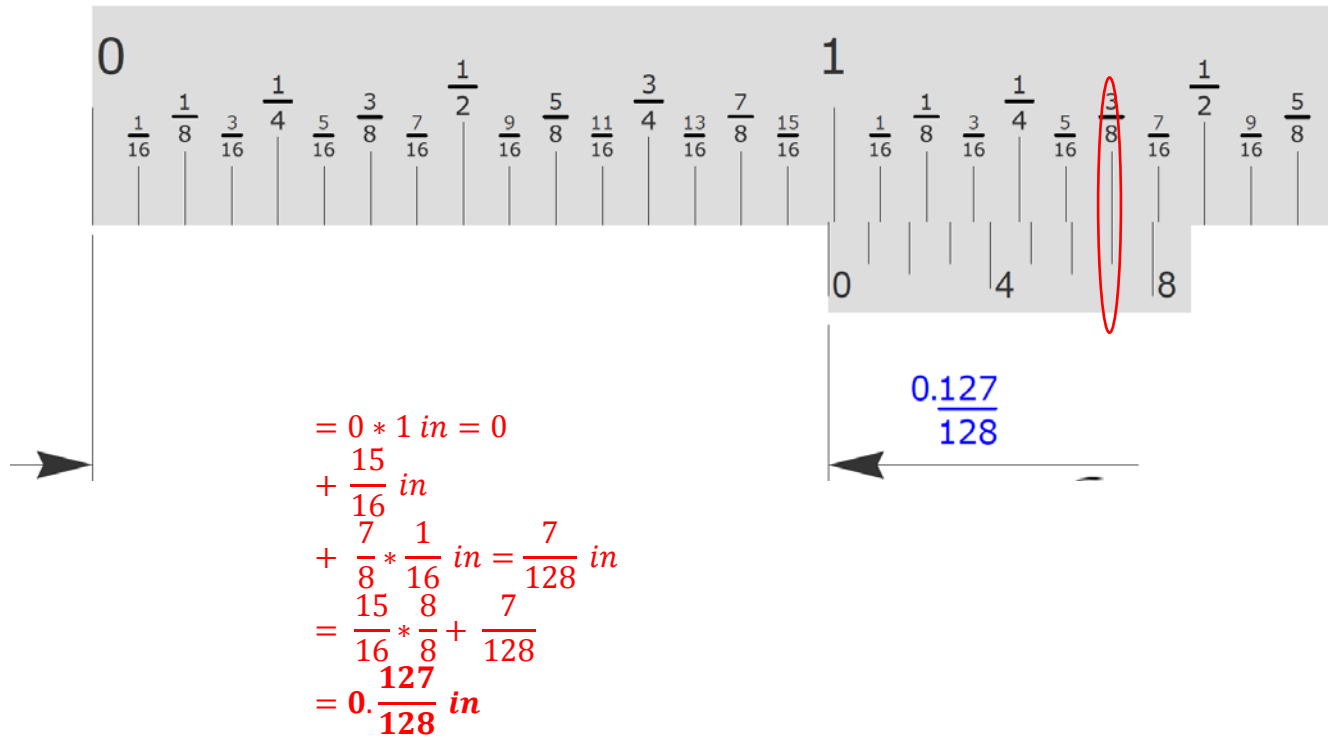
3.



$$\begin{aligned}
 &= 3 * 1 \text{ in} = 3.000 \\
 &+ 0 * 0.1 \text{ in} = 0 \\
 &+ 1 * 0.025 \text{ in} = 0.025 \\
 &+ 18 * 0.001 \text{ in} = 0.018 \\
 &= \mathbf{3.043 \text{ in}}
 \end{aligned}$$

Q3. ANSWER: **3.043 in**

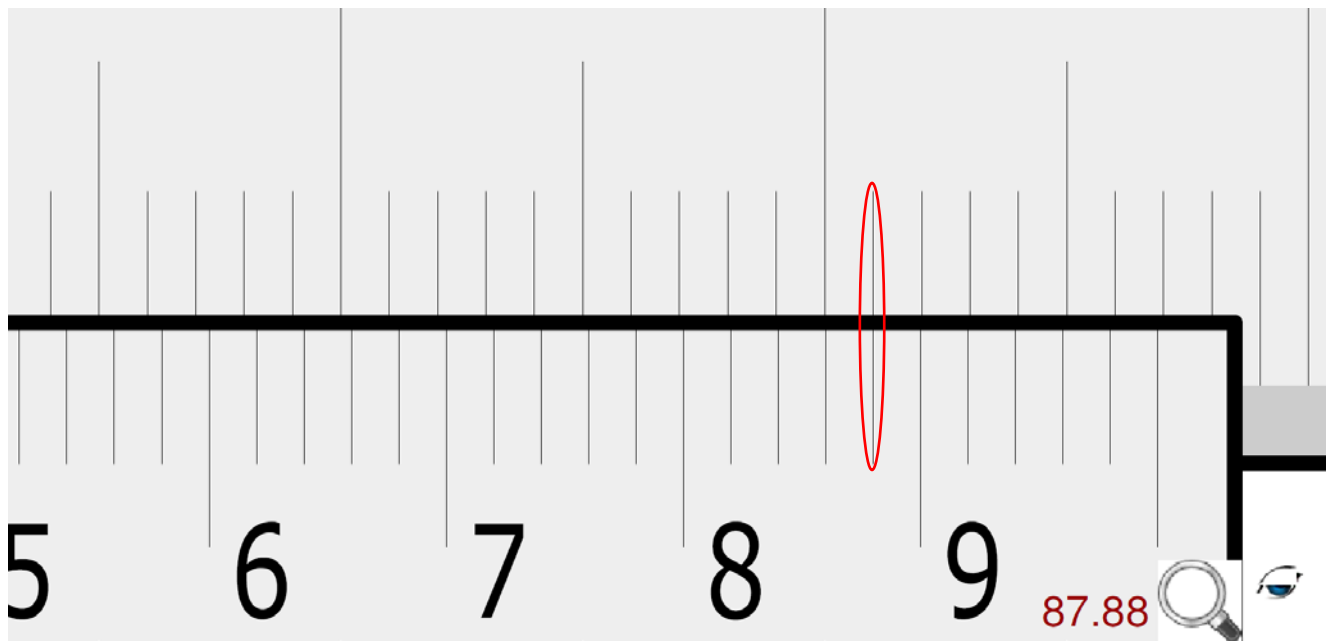
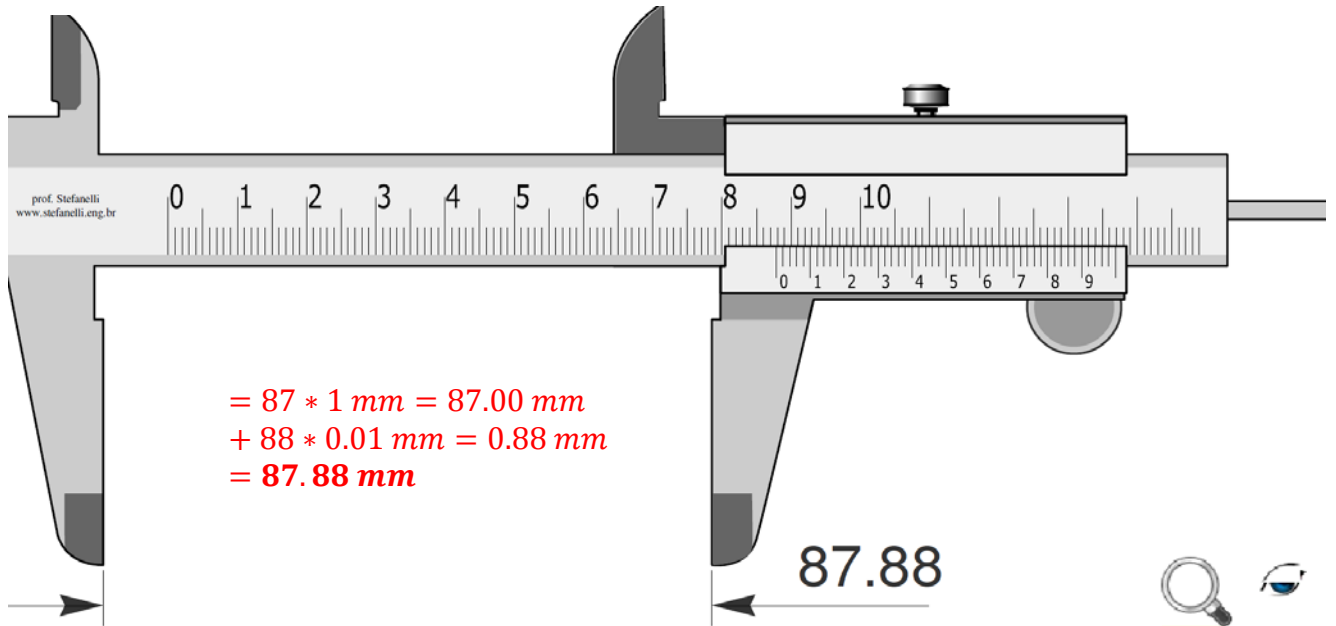
4.



Q4. ANSWER:

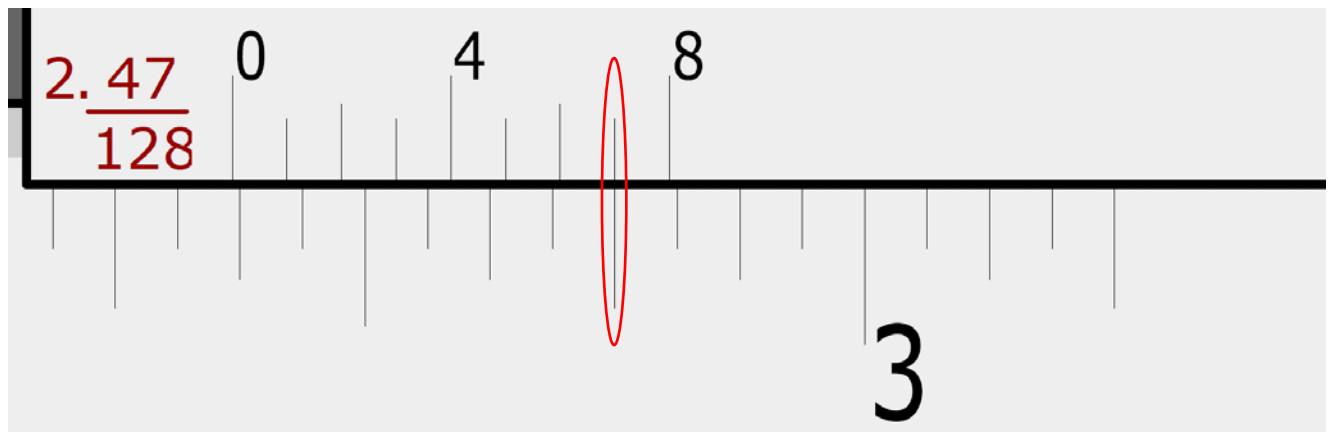
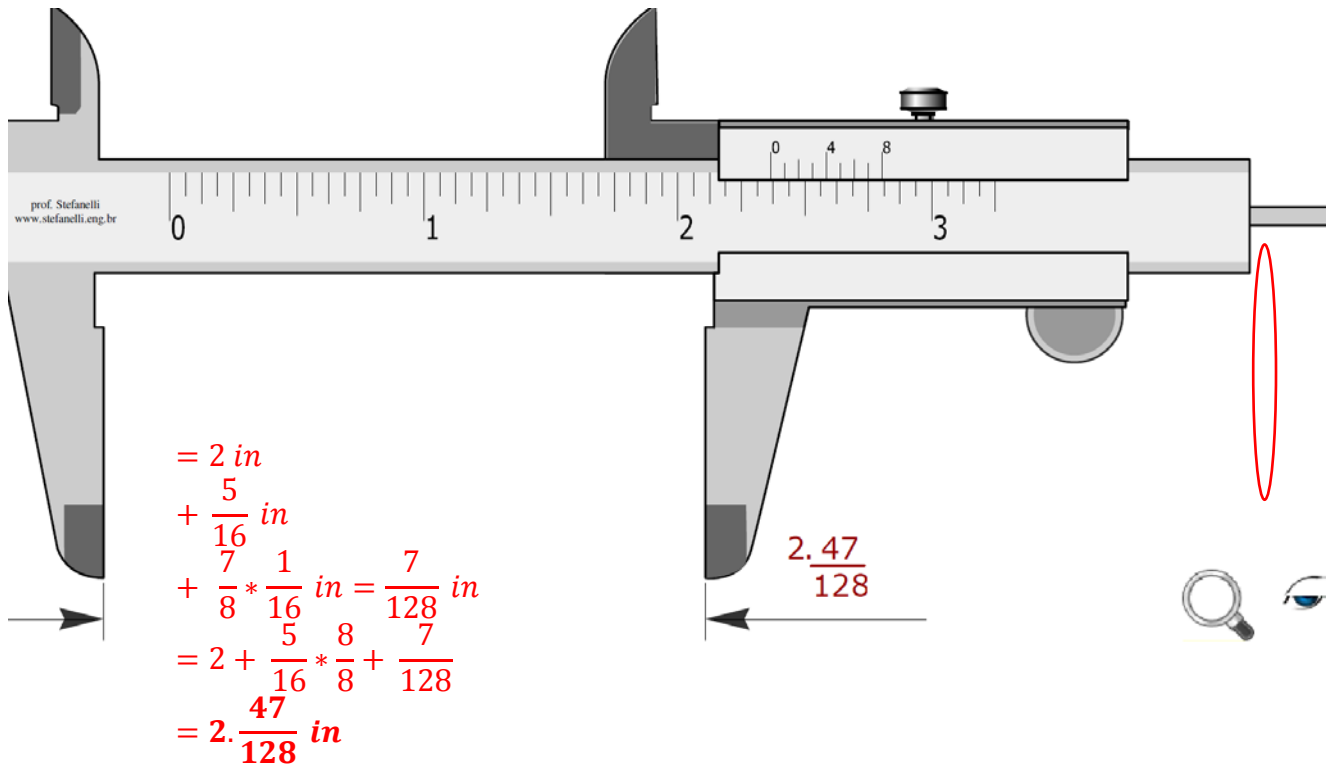
$$0. \frac{127}{128} \text{ in}$$

5.



Q5. ANSWER: **87.88 mm**

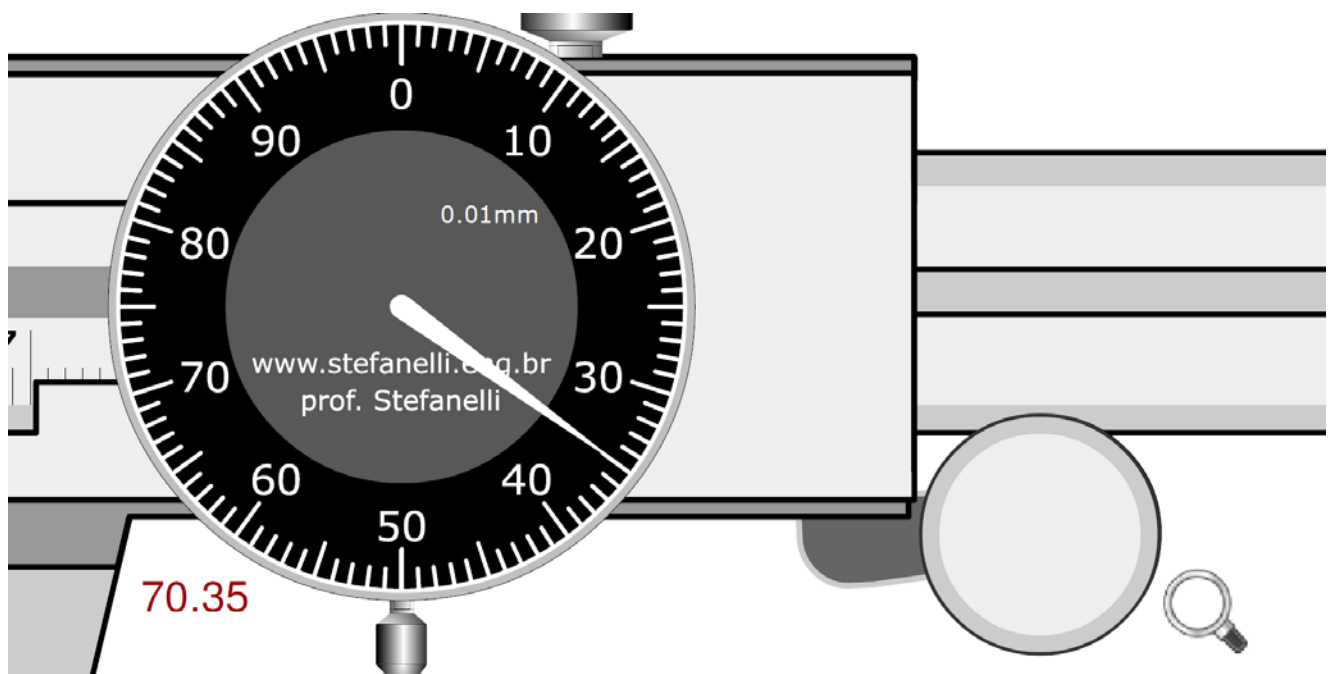
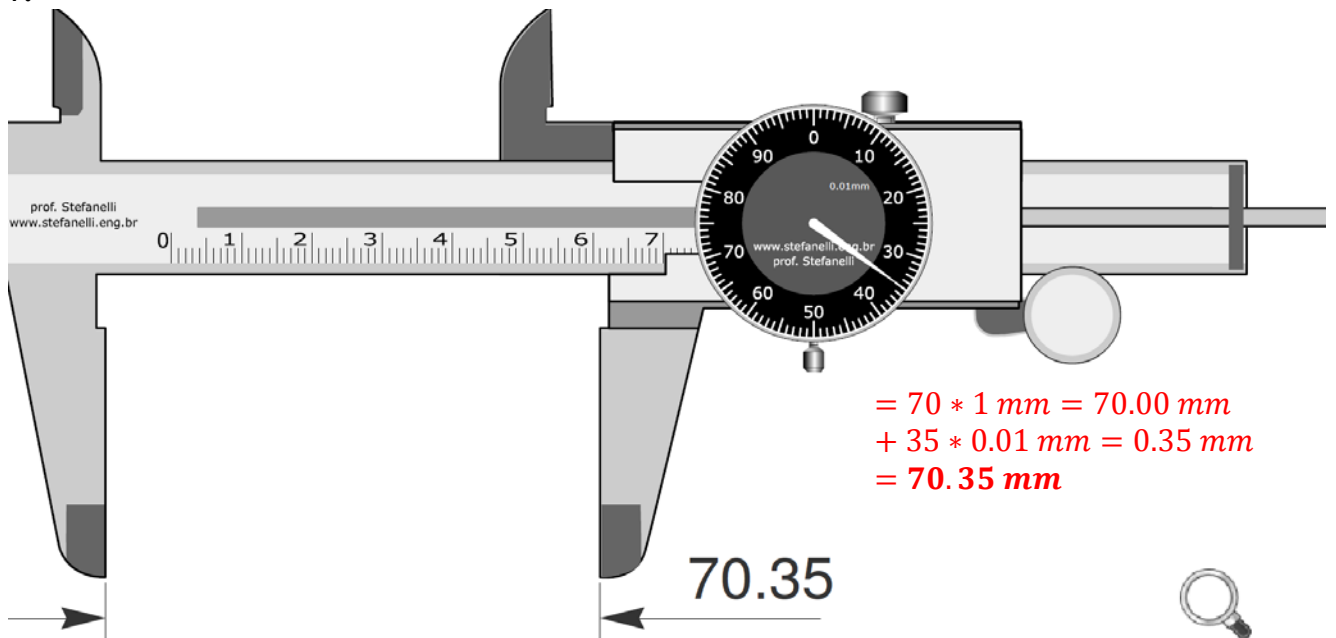
6.



Q6. ANSWER:

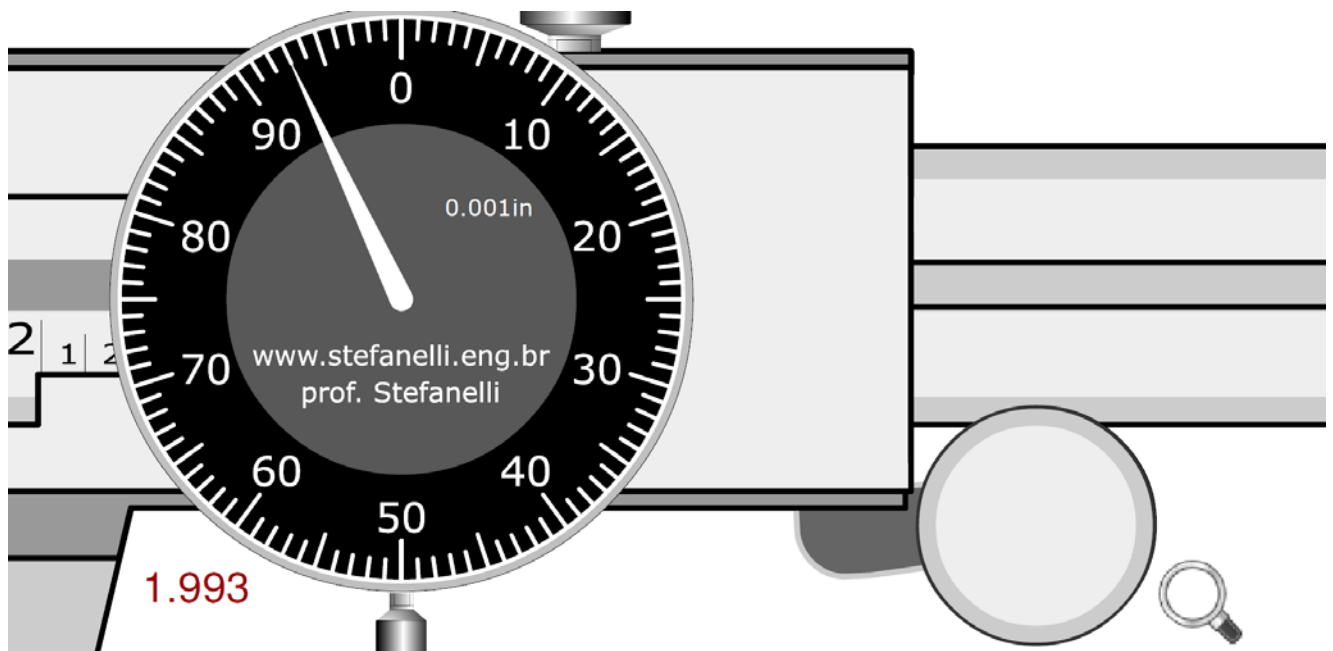
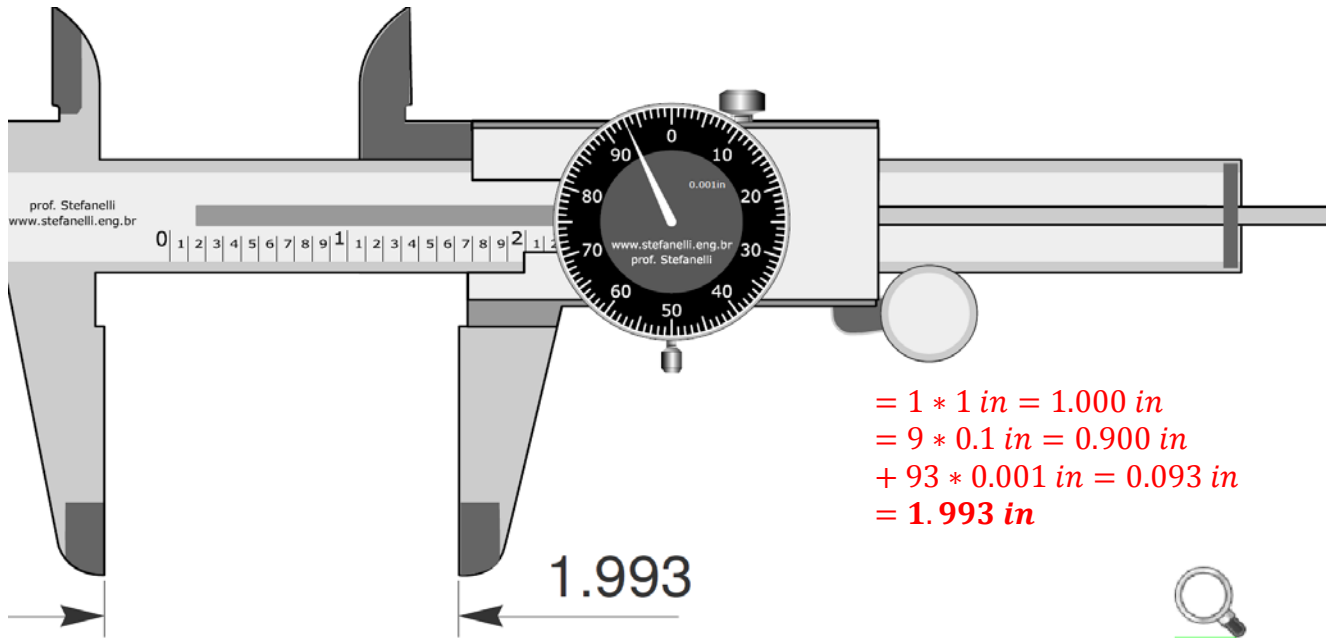
$$2. \frac{47}{128} \text{ in}$$

7.



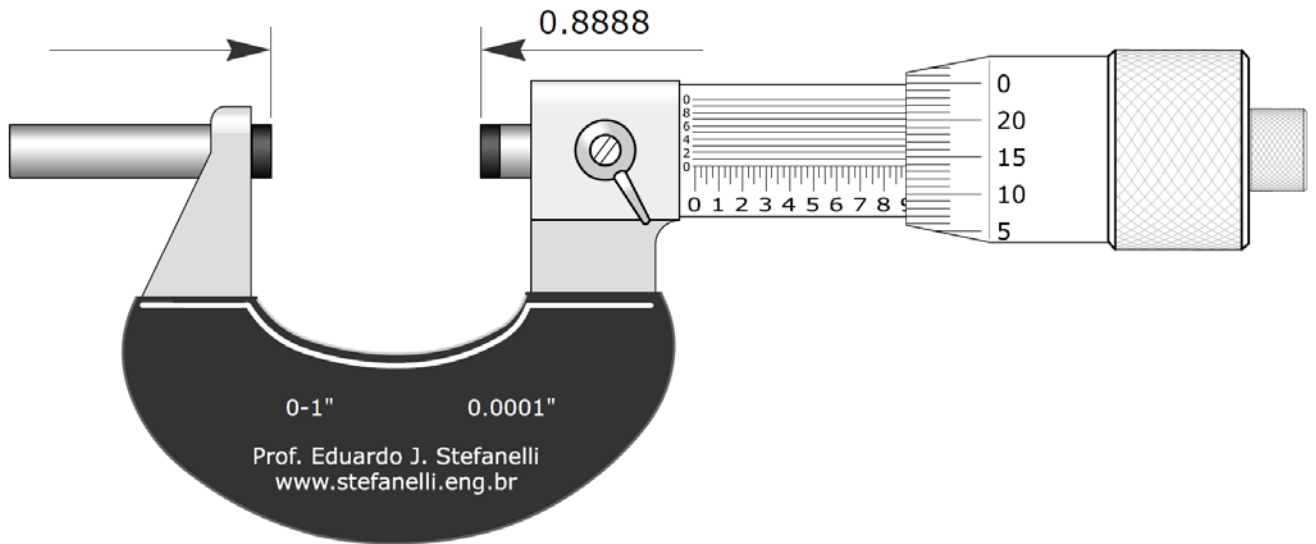
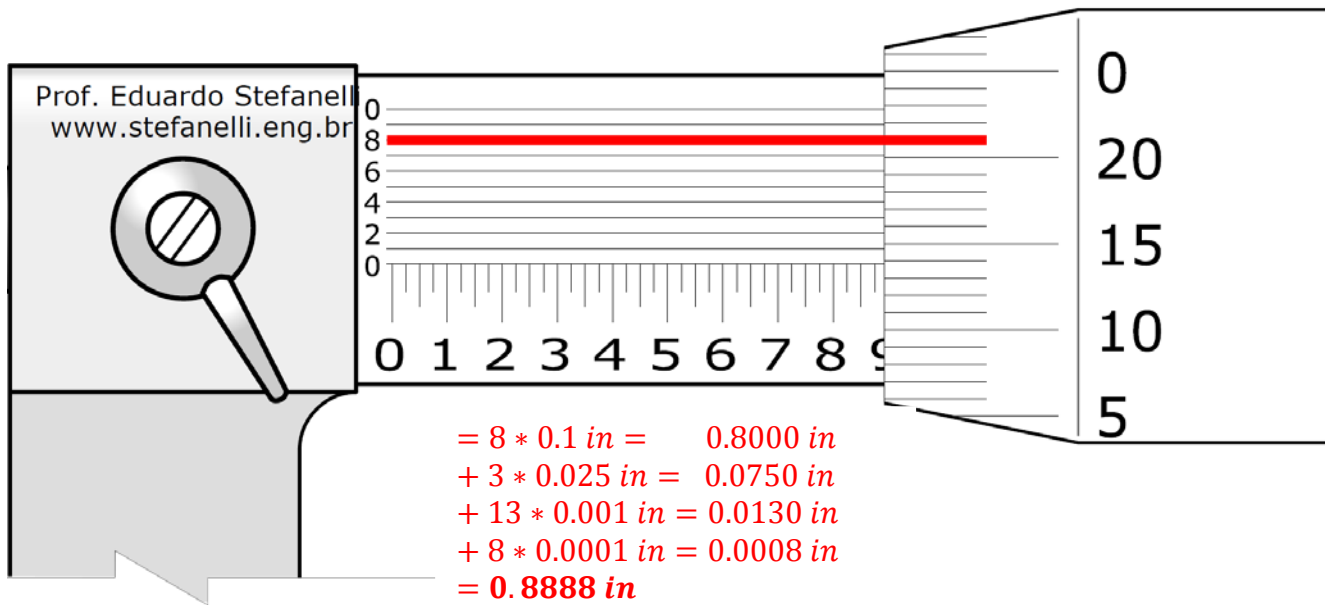
Q7. ANSWER: **70.35 mm**

8.



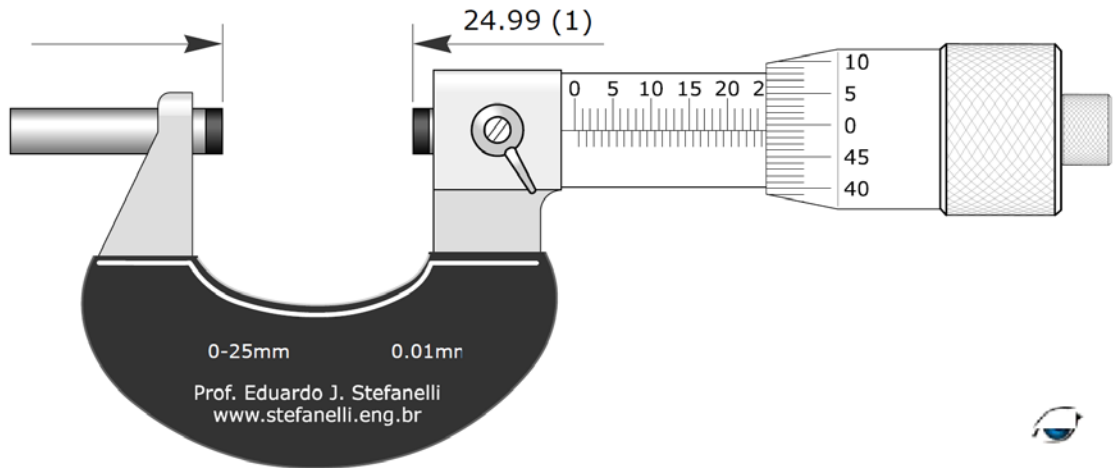
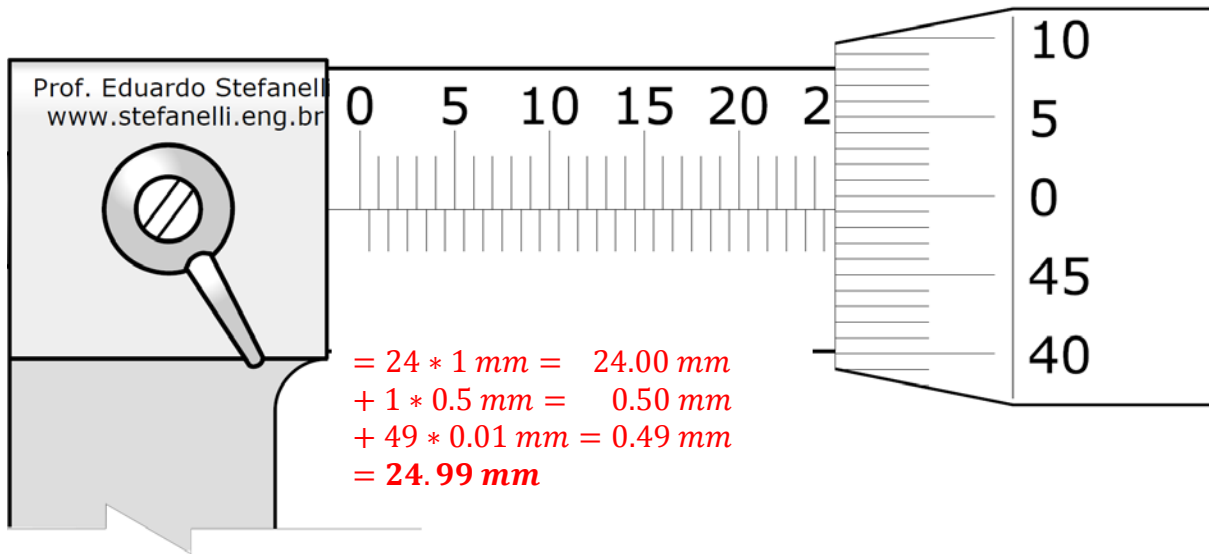
Q8. ANSWER: 1.993 in

9.



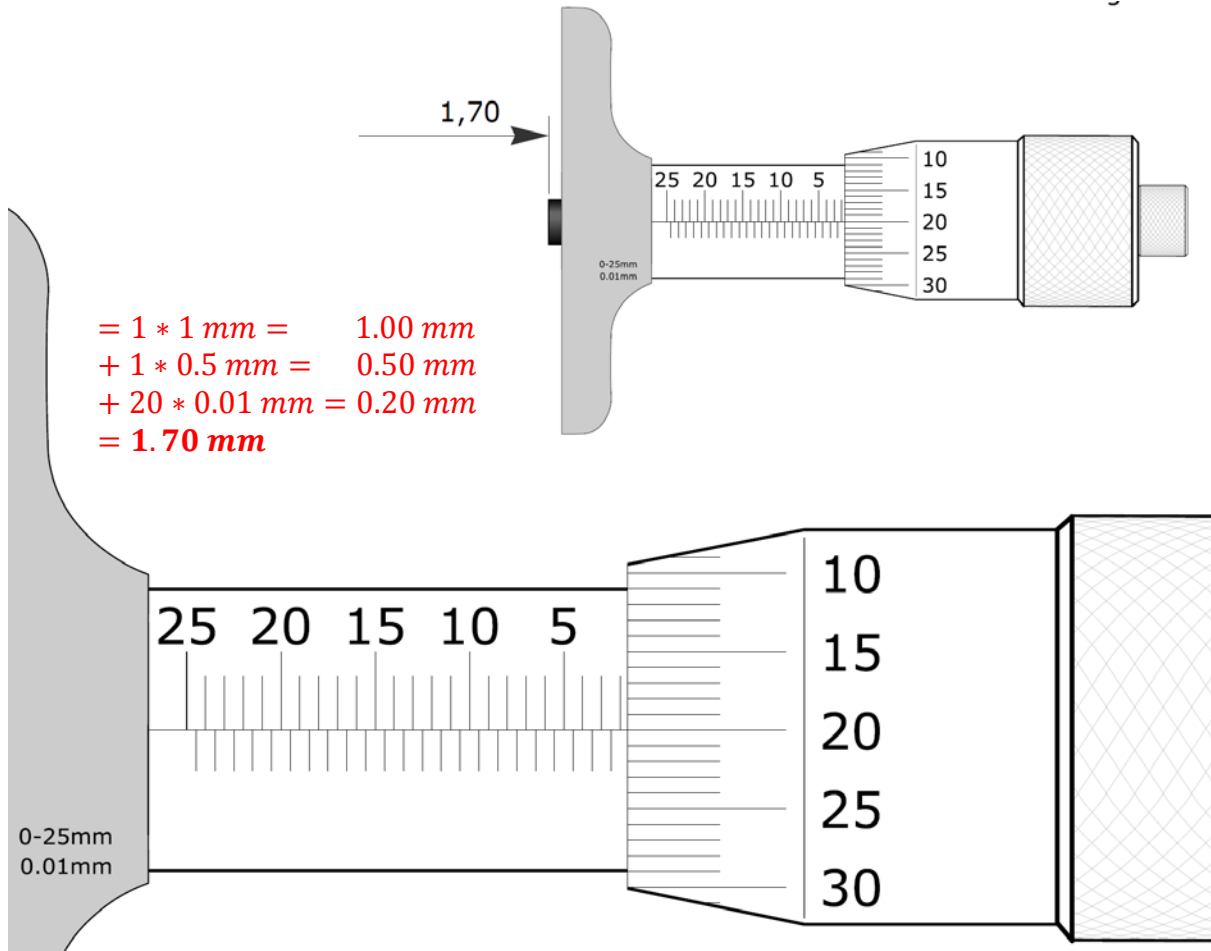
Q9. ANSWER: **0.8888 in**

10.



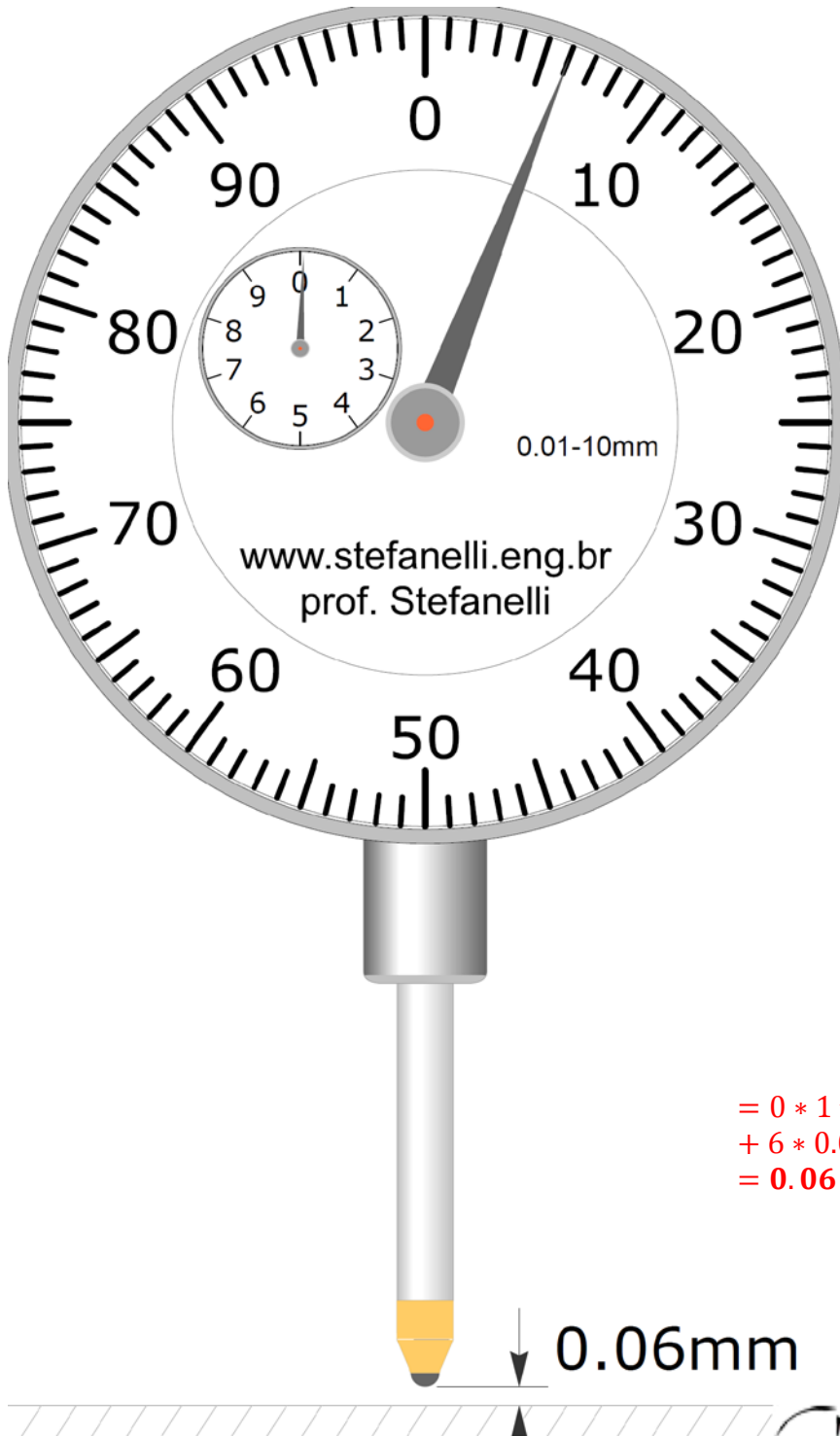
Q10. ANSWER: **24.99 mm**

11.



Q11. ANSWER: **1.70 mm**

12.

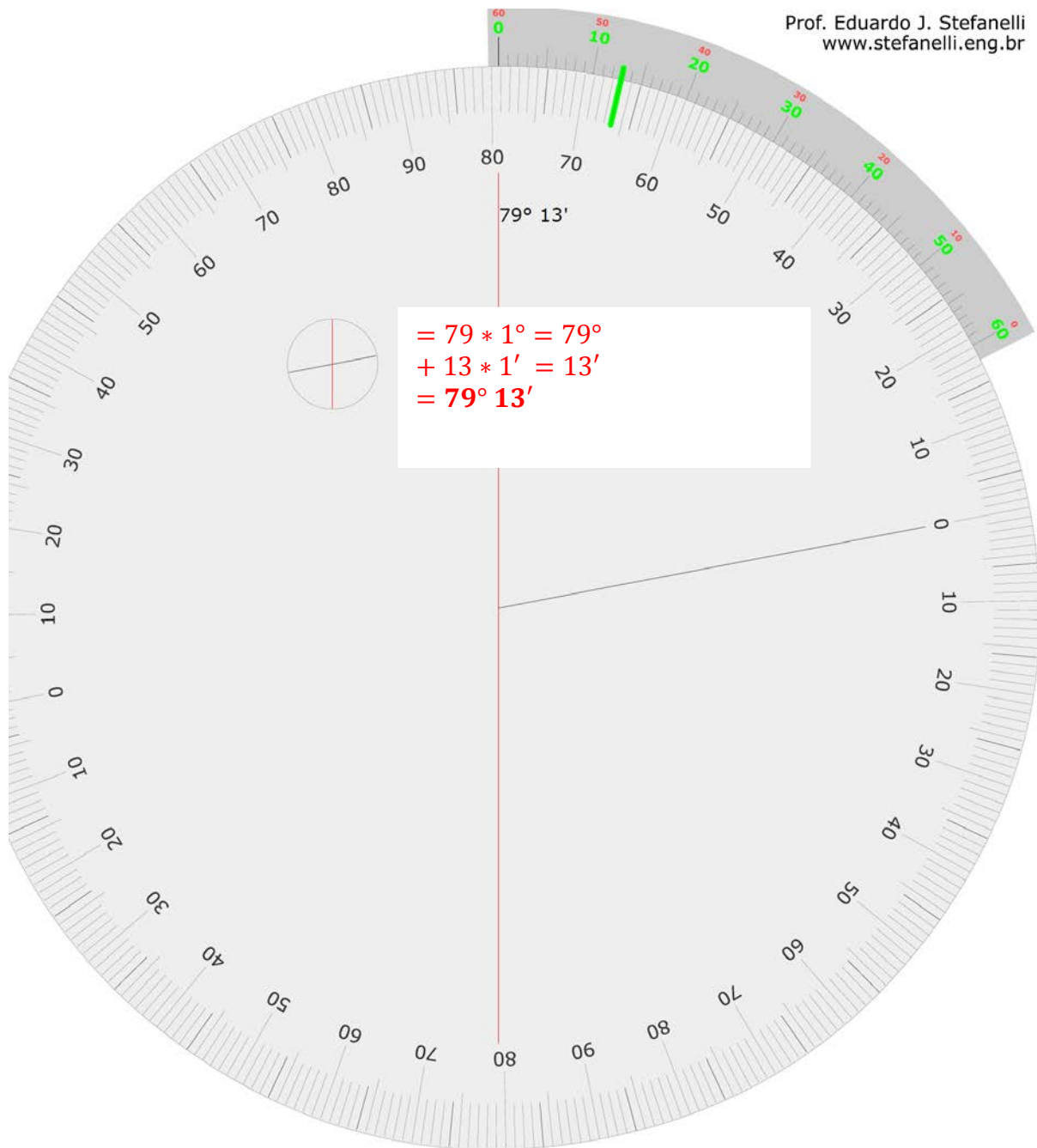


$$\begin{aligned}
 &= 0 * 1 \text{ mm} = 0 \\
 &+ 6 * 0.01 \text{ mm} = 0.06 \text{ mm} \\
 &= \mathbf{0.06 \text{ mm}}
 \end{aligned}$$

0.06mm

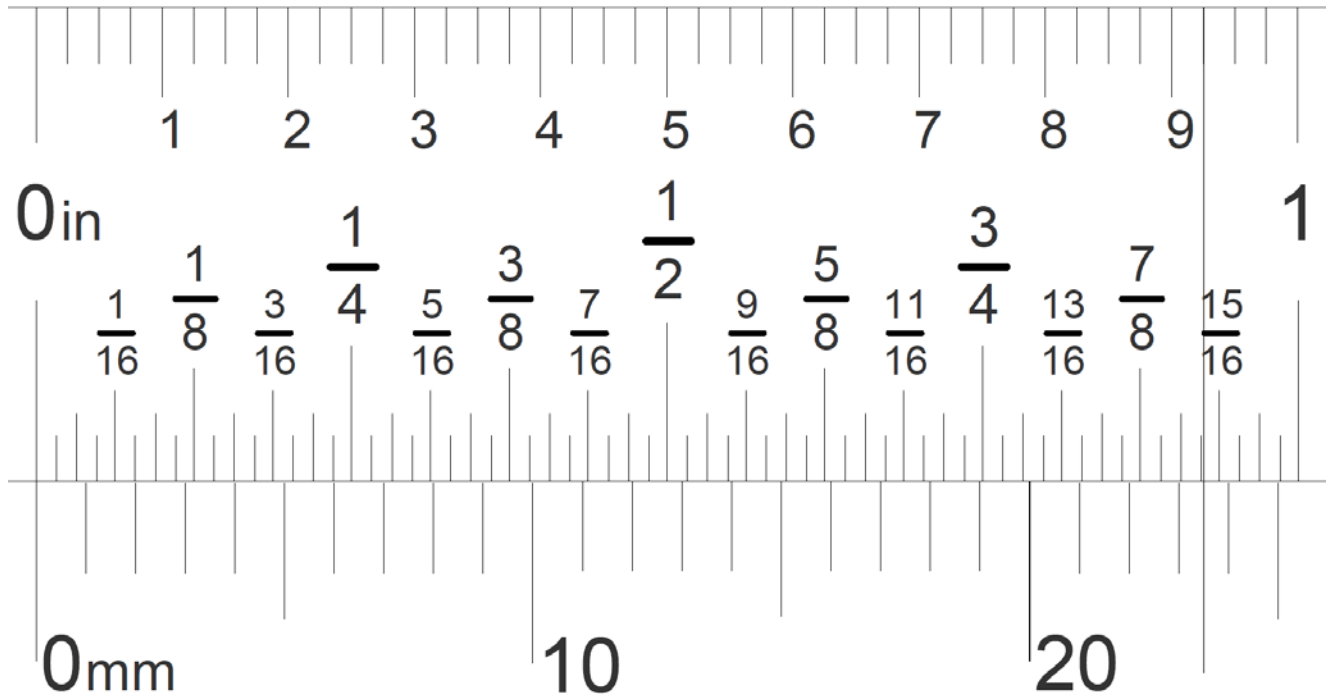
Q12. ANSWER: **0.06 mm**

13.



Q13. ANSWER: **79° 13'**

14.



$$\frac{23,5 \text{ mm}}{25,4 \text{ mm}} = 0.925 \text{ in} \times \frac{128}{128} \cong 0. \frac{59}{64} \text{ in}$$

$$0.925 \text{ in} = 0. \frac{59}{64} \text{ in} = 23.5 \text{ mm}$$

Q14. ANSWER:

Rules:

- You must prepare and submit the homework **individually**.
- Your work must be **neatly written** (or typed) and in **proper English** (where applicable).
- **Show all work**, and answer each question on a **separate sheet**.
- **BOX** your answer(s) and include the **units**.
- Due date (beginning of class; NO late homework will be accepted):
Tuesday, March 03, 2015 (12/05/1436)