

IE-352
Section 1, CRN: 48700/1/2
Section 2, CRN: 48706/7/8
Second Semester 1435-36 H (Spring-2015) – 4(4,1,2)
“MANUFACTURING PROCESSES – 2”

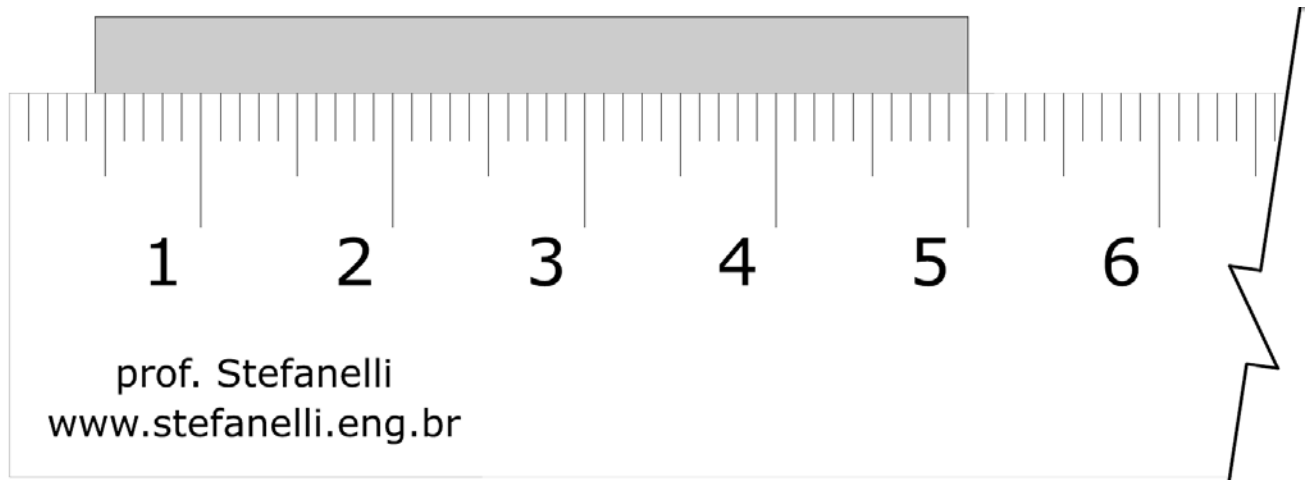
Monday, February 23, 2015 (04/05/1436H)

Homework 1

Name:	Student Number:	Section:
	4	10 / 11

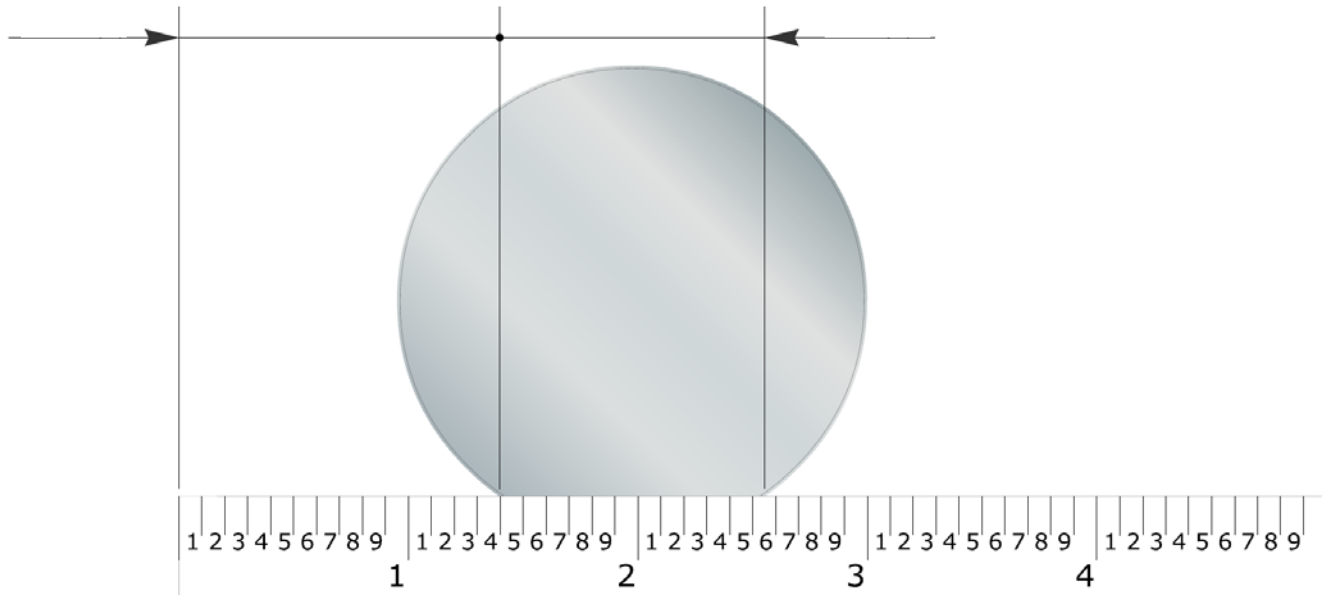
Read the following gages and write the values in the provided box.
[14 Questions; 0.75 Points each]

1.



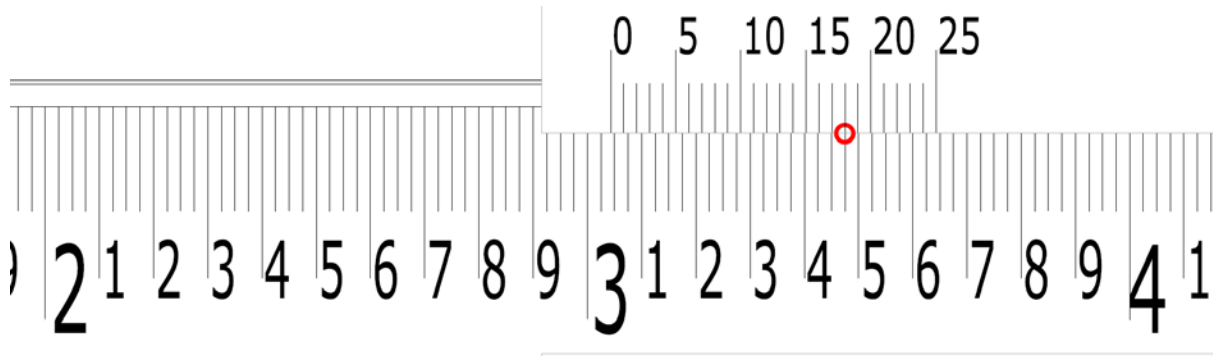
Q1. ANSWER:

2.



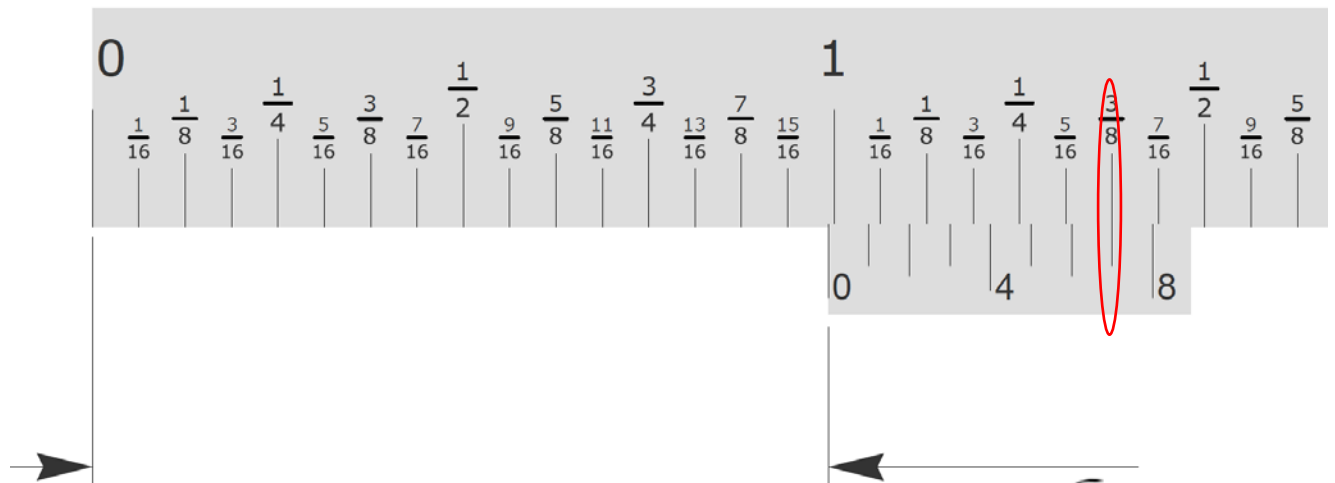
Q2. ANSWER:

3.



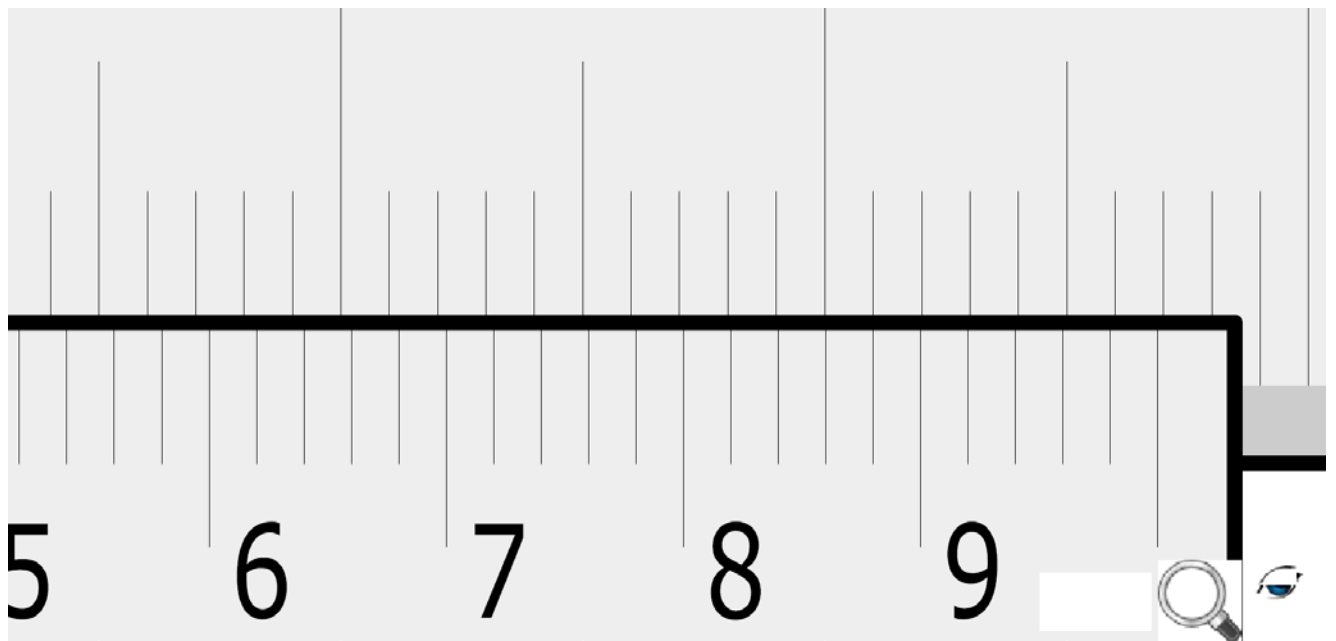
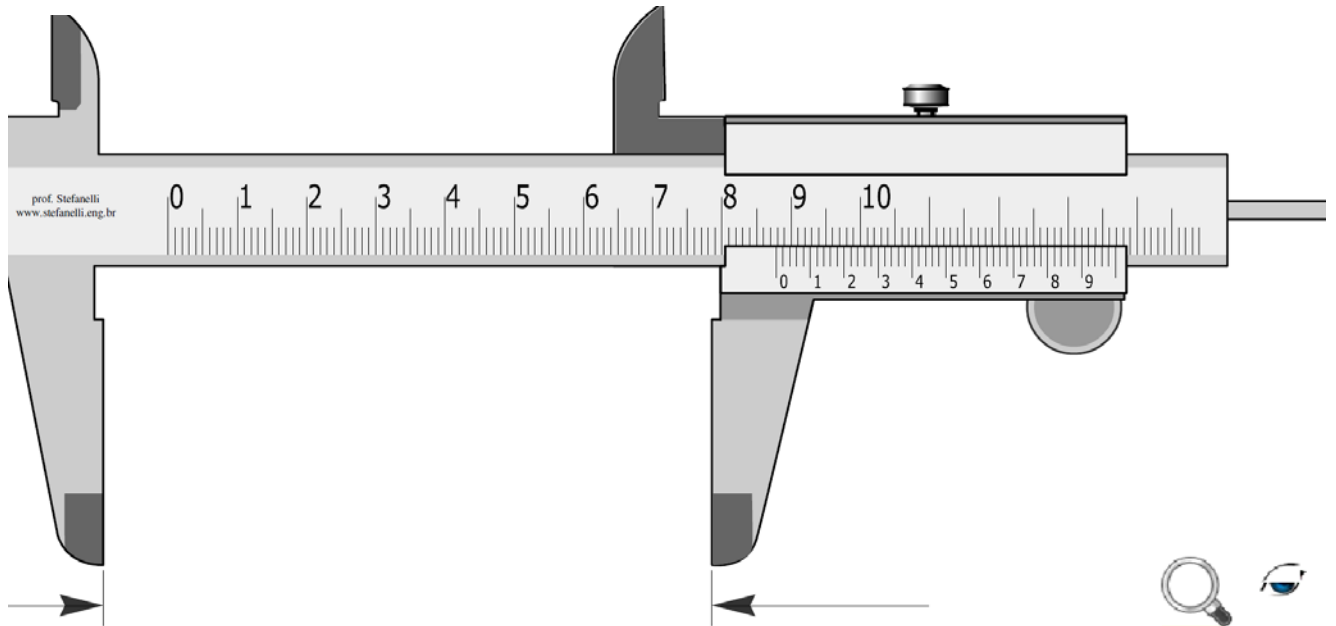
Q3. ANSWER:

4.



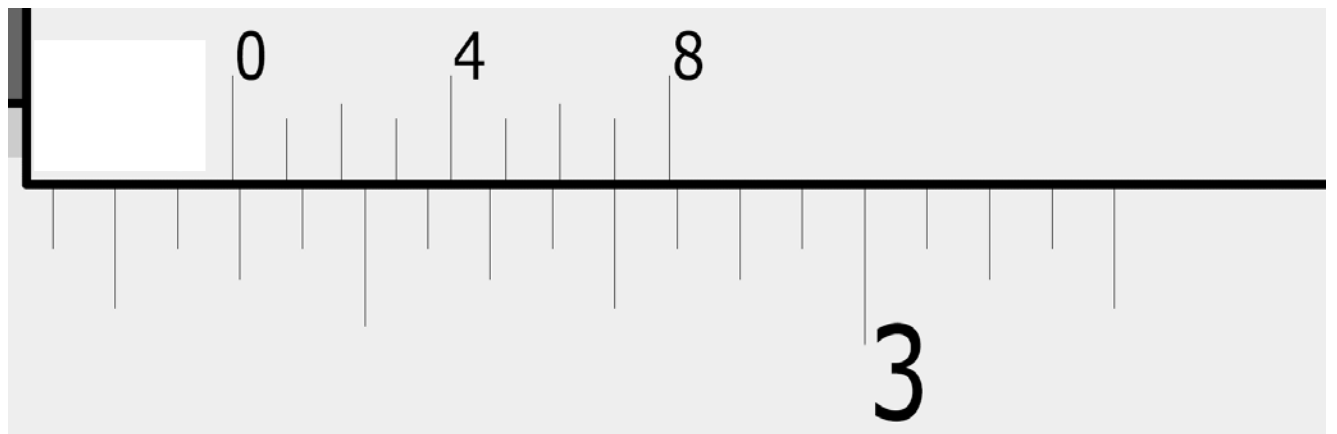
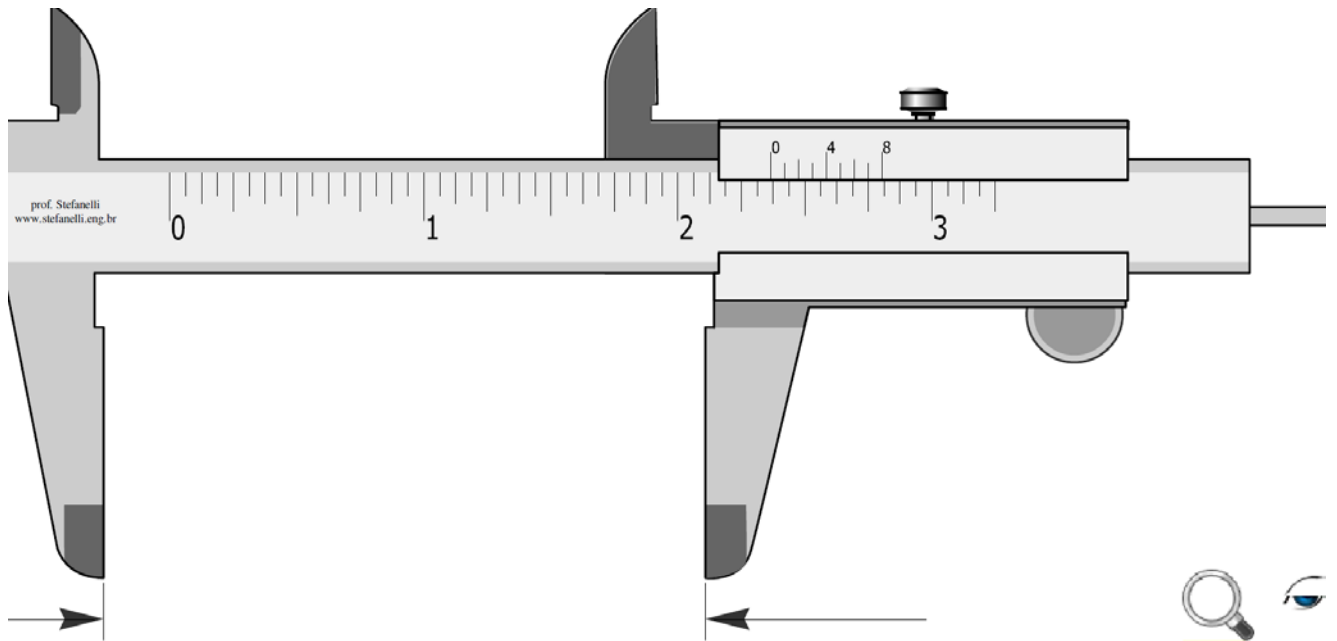
Q4. ANSWER:

5.



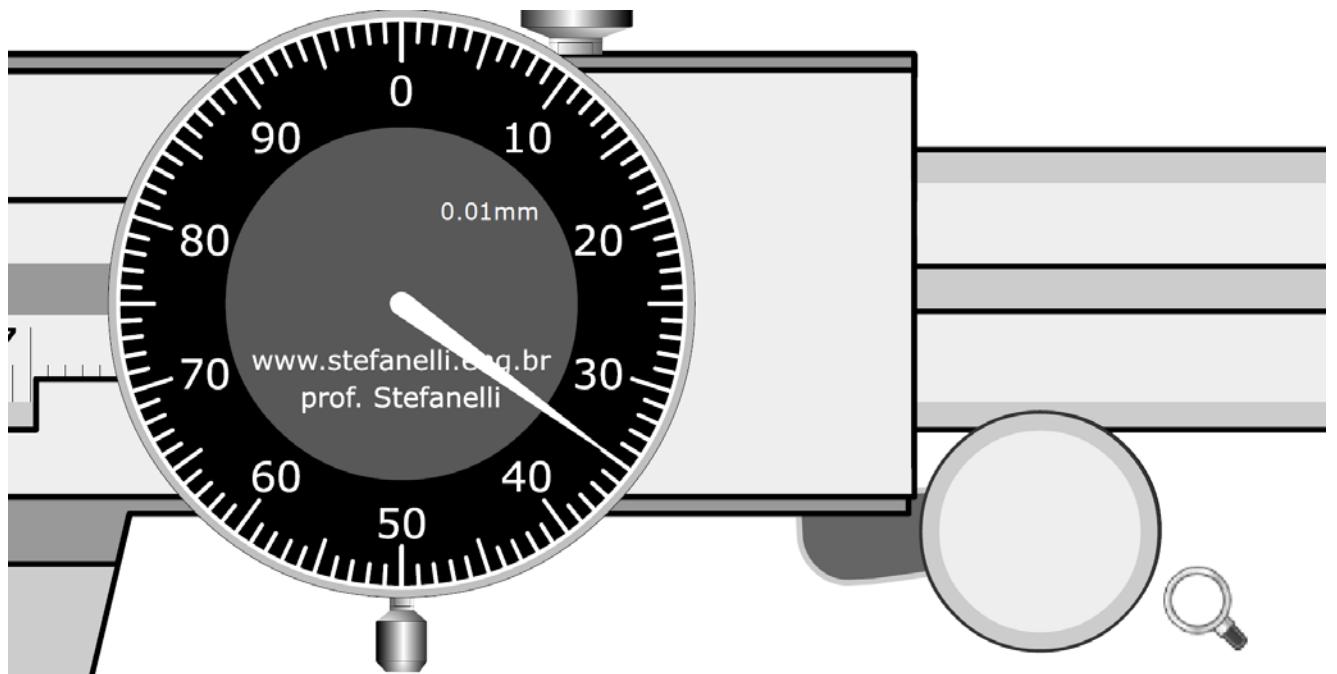
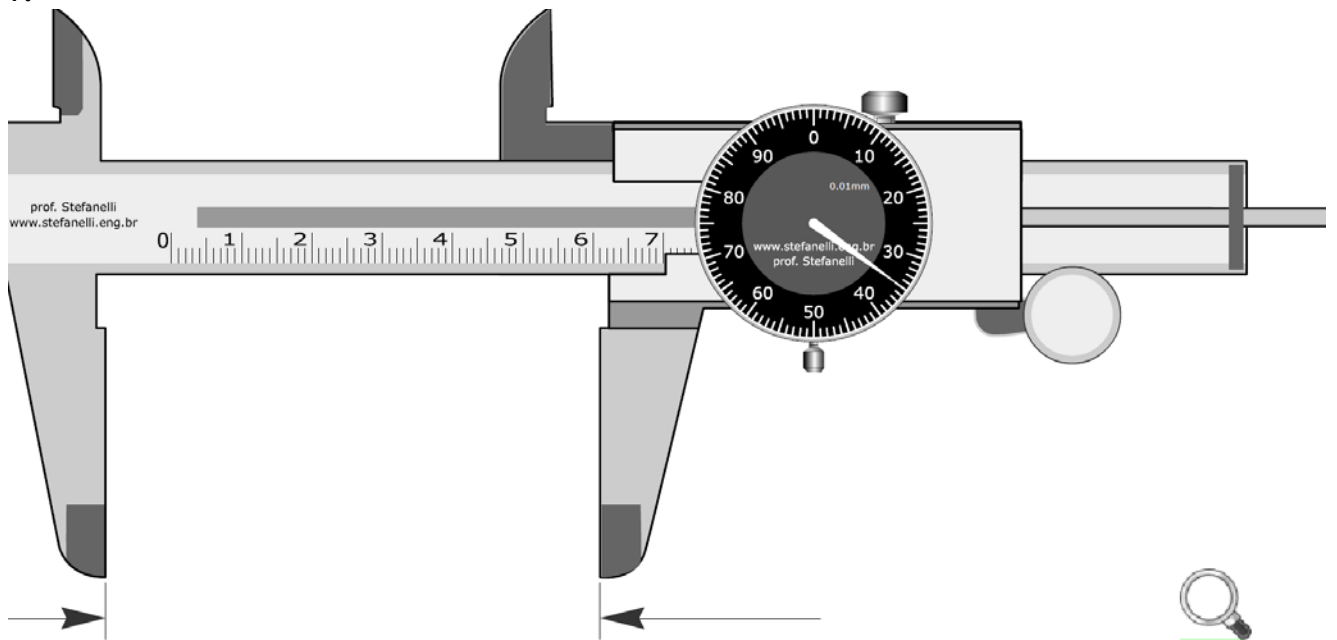
Q5. ANSWER:

6.



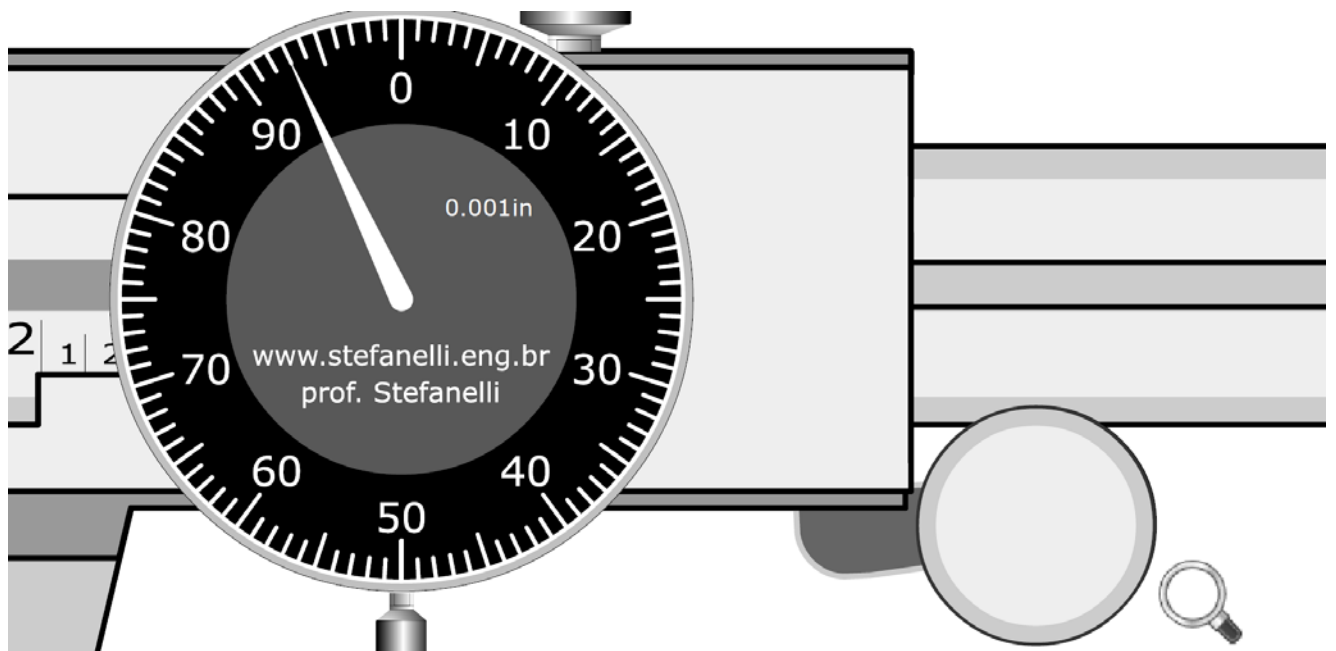
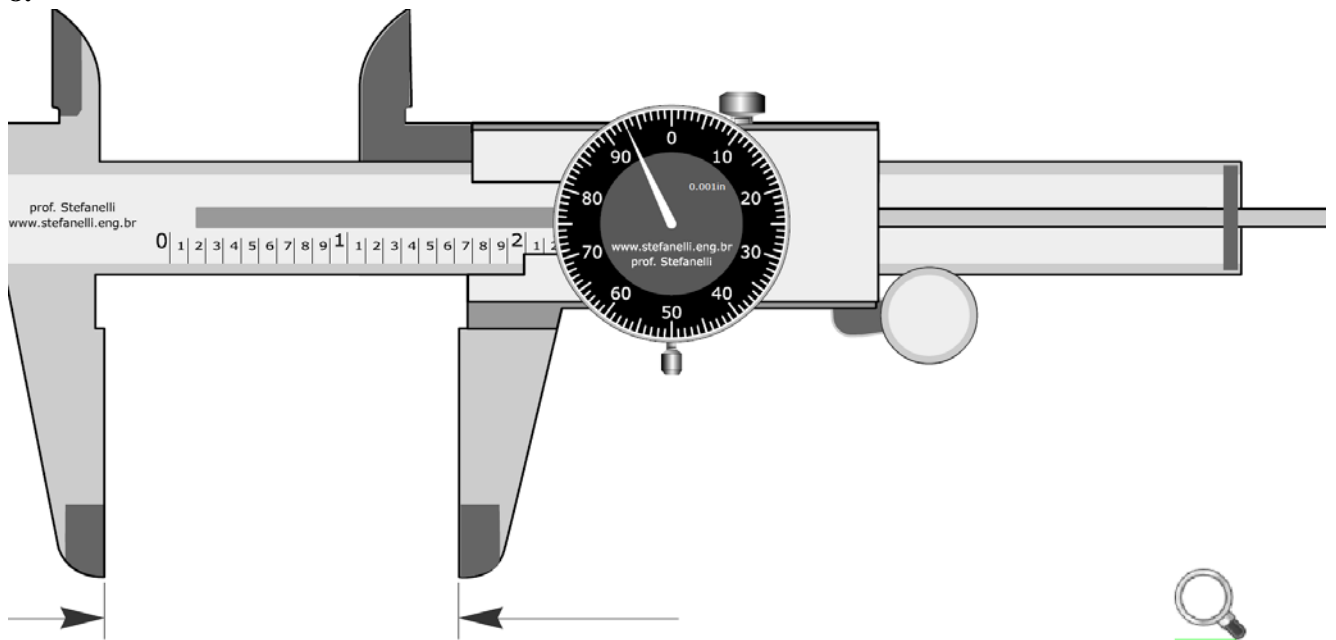
Q6. ANSWER:

7.



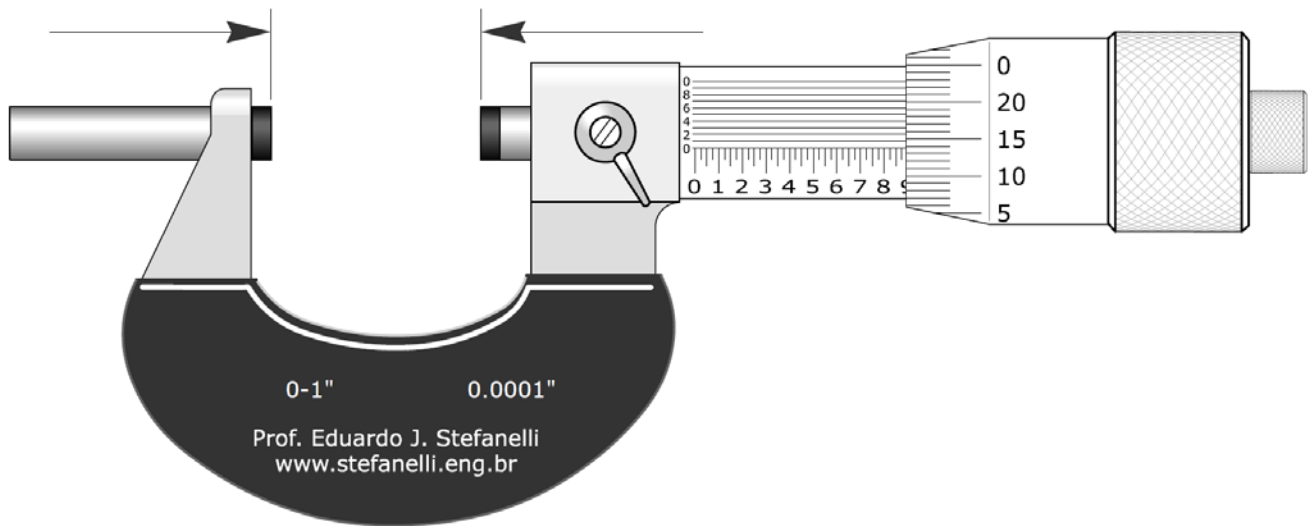
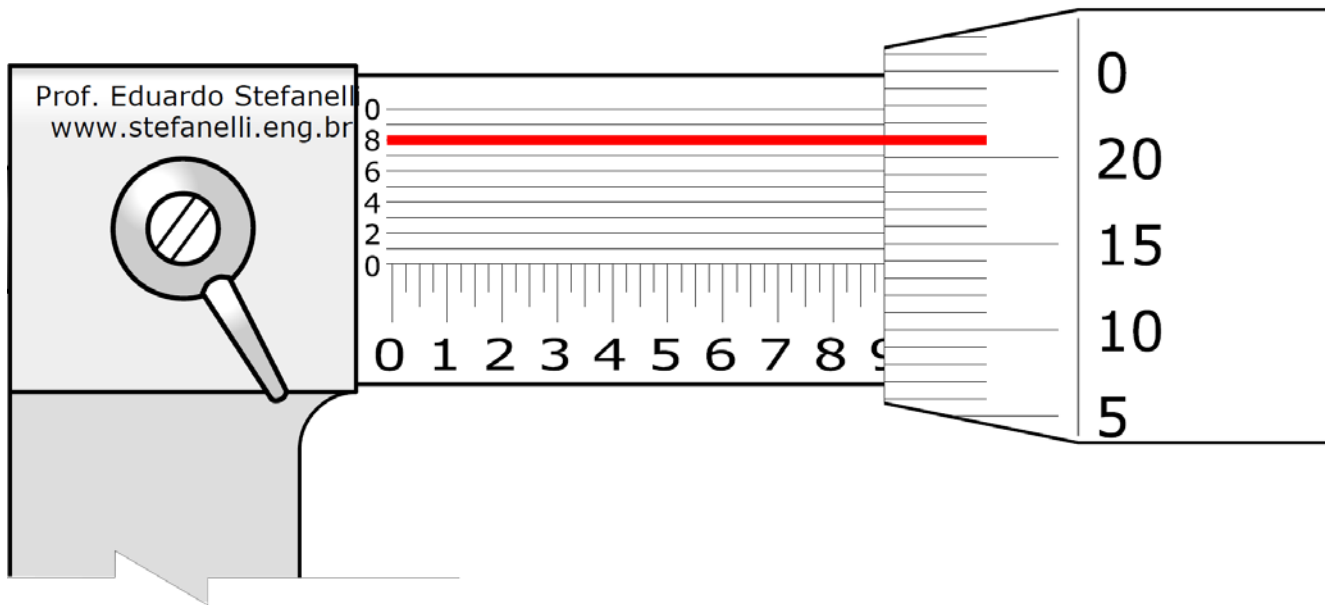
Q7. ANSWER:

8.



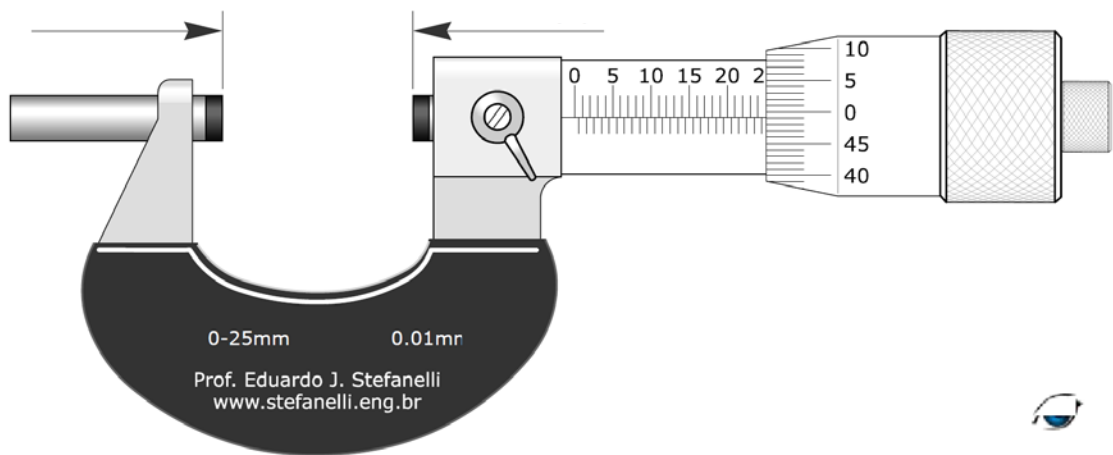
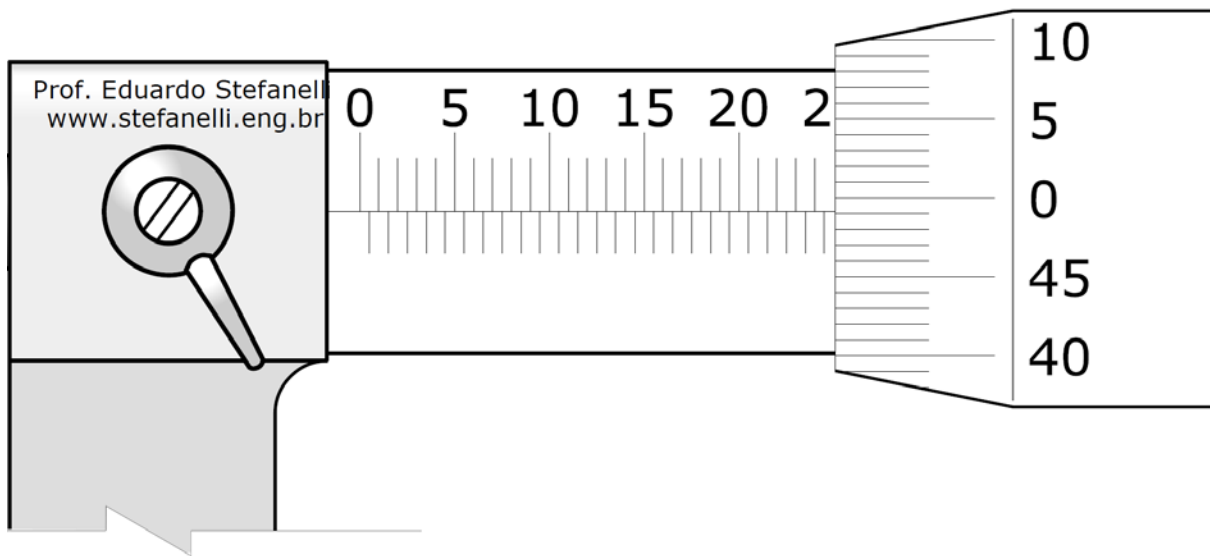
Q8. ANSWER:

9.



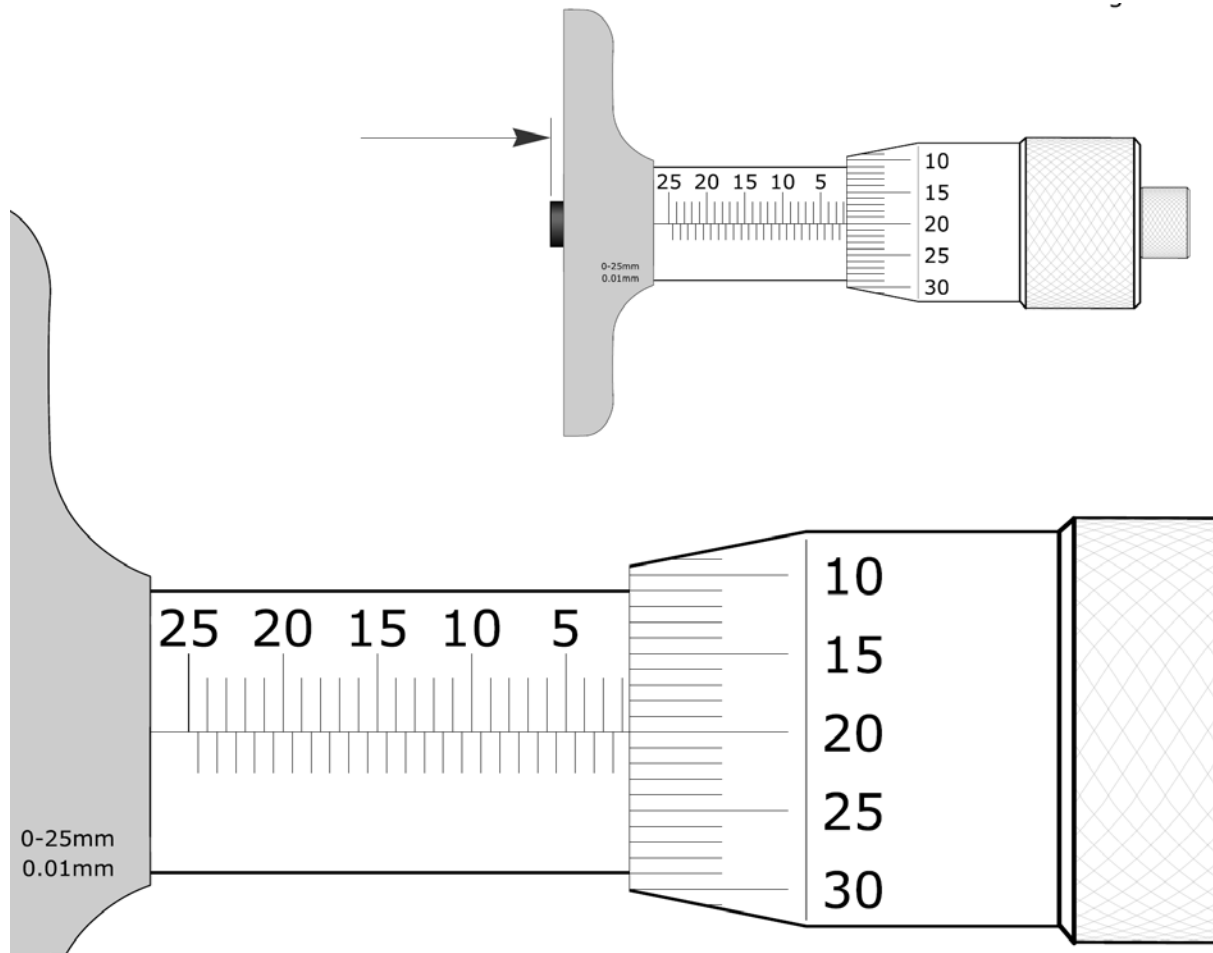
Q9. ANSWER:

10.



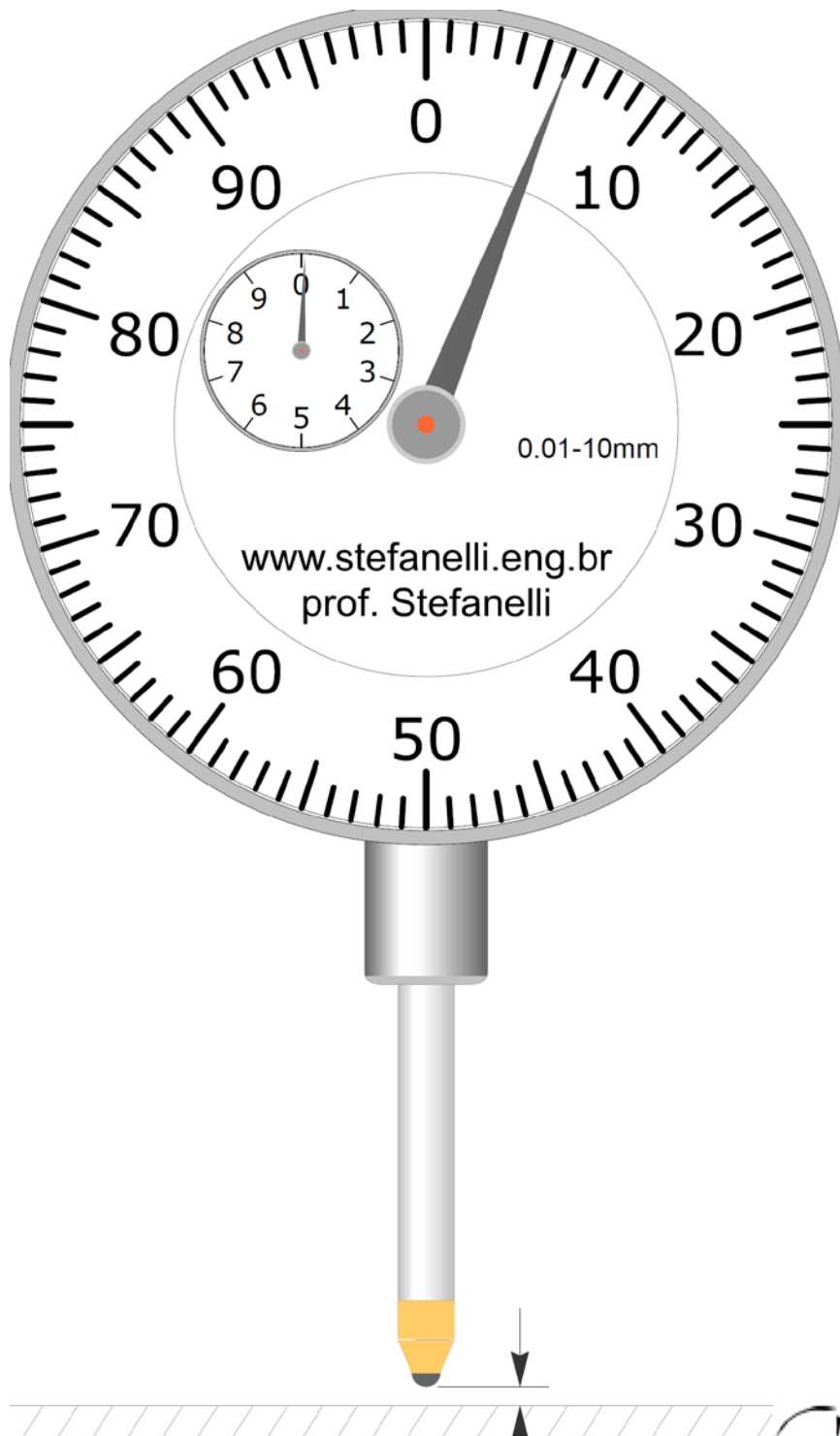
Q10. ANSWER:

11.



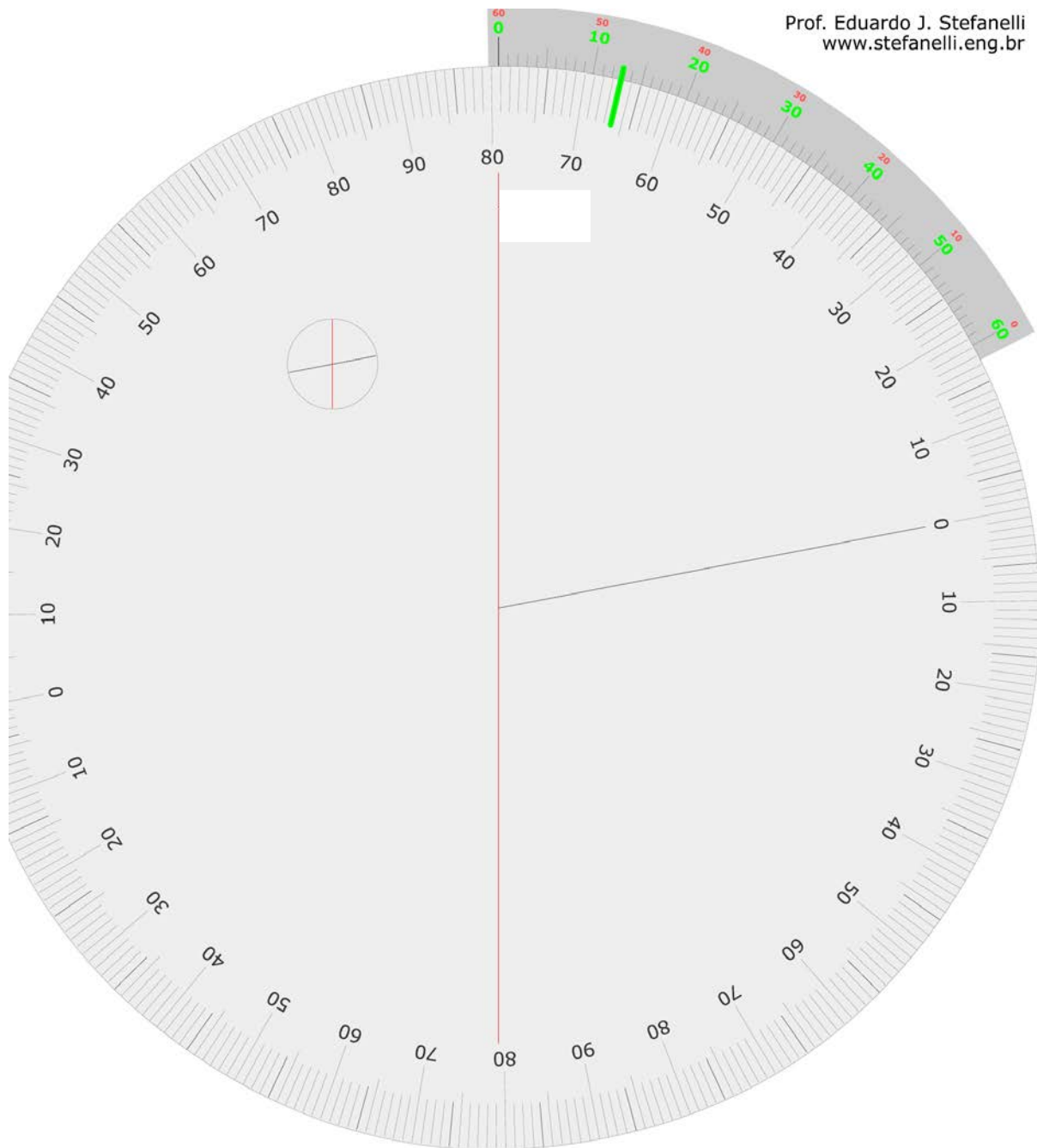
Q11. ANSWER:

12.



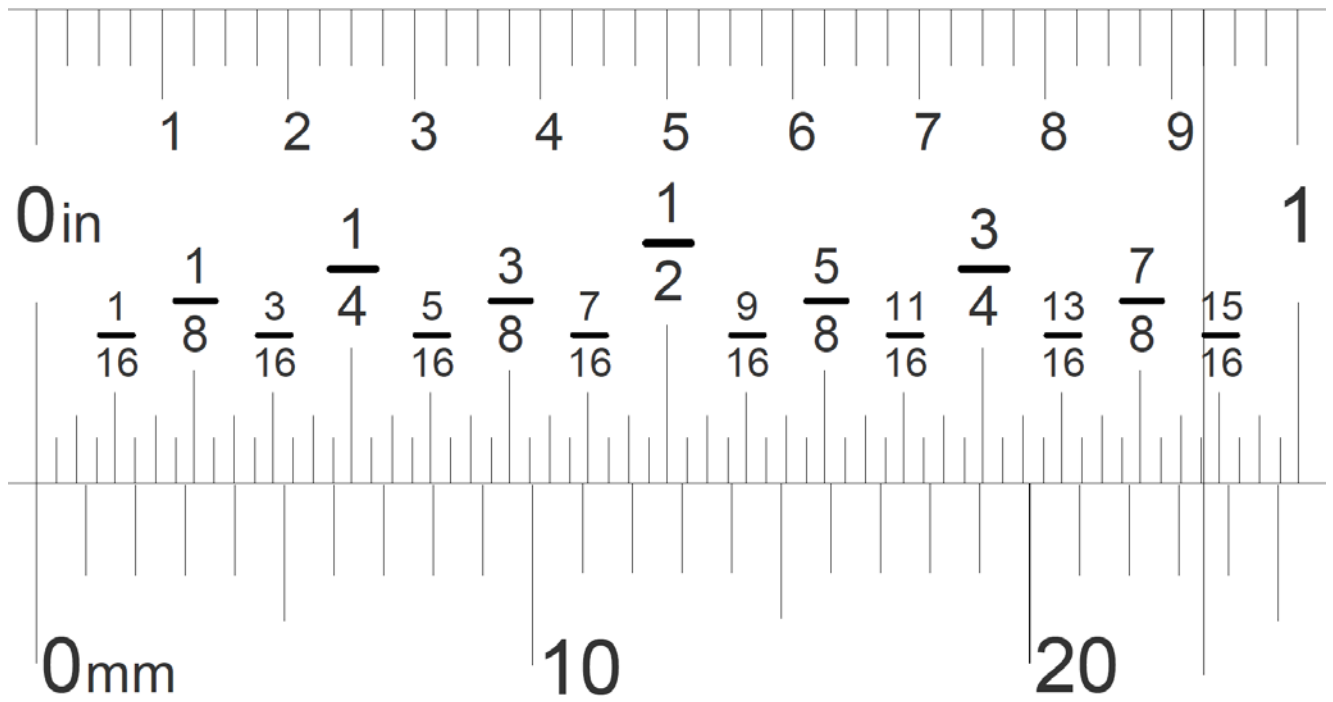
Q12. ANSWER:

13.



Q13. ANSWER:

14.



Q14. ANSWER:

Rules:

- You must prepare and submit the homework **individually**.
- Your work must be **neatly written** (or typed) and in **proper English** (where applicable).
- **Show all work**, and answer each question on a **separate sheet**.
- **BOX** your answer(s) and include the **units**.
- Due date (beginning of class; NO late homework will be accepted):
Tuesday, March 03, 2015 (12/05/1436)