

IE-352  
Section 1, CRN: 48700/1/2  
Section 2, CRN: 48706/7/8  
Second Semester 1435-36 H (Spring-2015) – 4(4,1,2)  
“MANUFACTURING PROCESSES – 2”

Tuesday, February 10, 2014 (21/04/1436H)

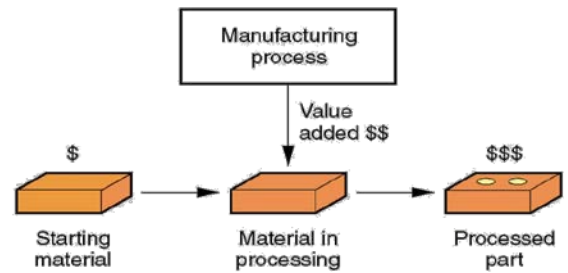
Quiz 1 ANSWERS

Name: <b>AHMED M. EL-SHERBEENY, PHD</b>	Student Number: 4	Section: 10 / 11
--	----------------------	---------------------

Answer briefly the question associated with each figure. [2 Points Each]

1. This figure *best* represents which definition of manufacturing?

**Economic Definition (slide 1.9)**



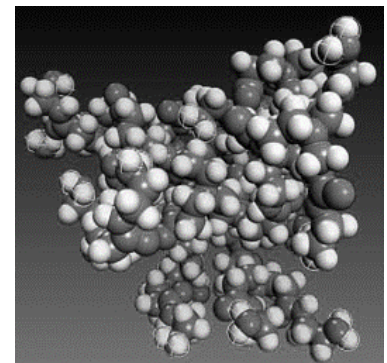
2. This figure represents what category and subcategory of material?

**Ceramic – Glass (slide 1.24)**

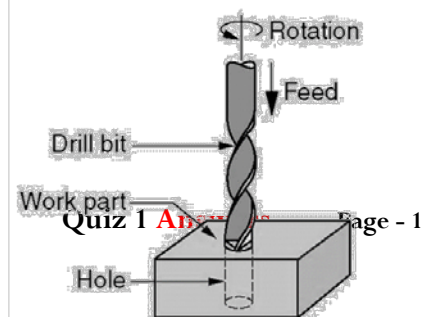


3. This figure represents the structure of what type of material?

**Polymers (slide 1.25)**



4. This figure represents what category and subcategory of

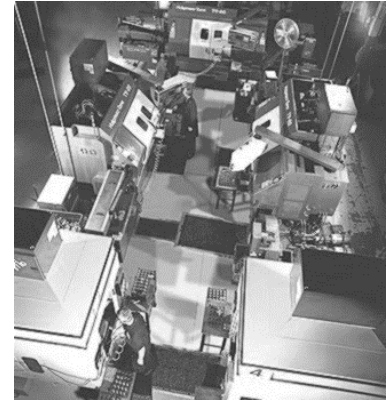


processing operations? Also, what is the name of this process?

**Shaping - Material removal processes ; drilling (slide 1.38)**

5. This figure *best* represents what quantity of production?  
Also, what is the name of this type of production facility?

**Medium production; batch production (slide 1.49)**



IE-352  
Section 1, CRN: 48700/1/2  
Section 2, CRN: 48706/7/8  
Second Semester 1435-36 H (Spring-2015) – 4(4,1,2)  
“MANUFACTURING PROCESSES – 2”

Tuesday, February 10, 2014 (21/04/1436H)

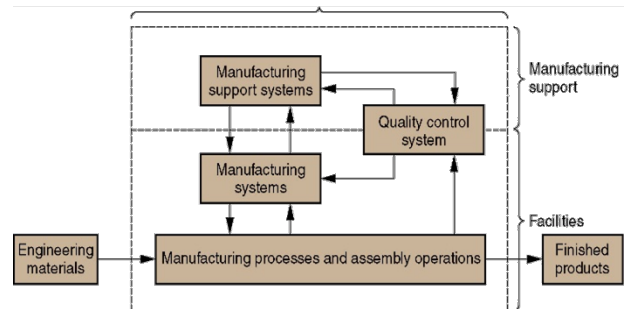
Quiz 1 ANSWERS

Name: <b>AHMED M. EL-SHERBEENY, PHD</b>	Student Number: 4	Section: 10 / 11
--	----------------------	---------------------

Answer briefly the question associated with each figure. [2 Points Each]

1. This figure *best* represents which definition of manufacturing?

**Production System Definition (slide 1.54)**



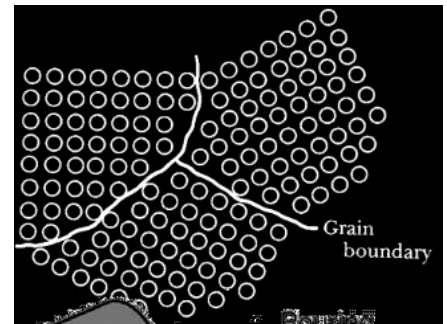
2. This figure represents what category and subcategory of material?

**Ceramic – crystalline ceramic (slide 1.24)**



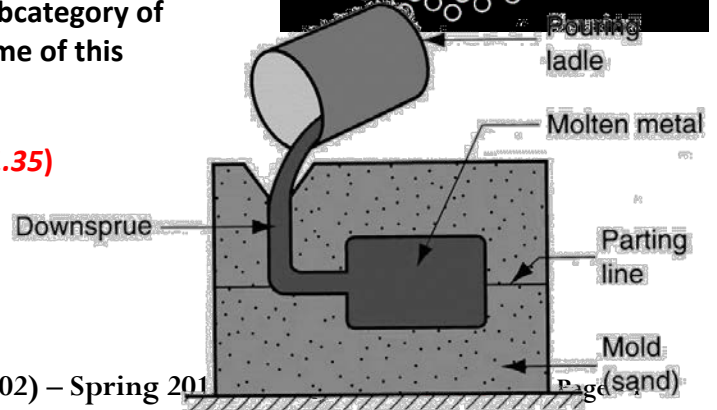
3. This figure represents the structure of what type of material?

**Composites (slide 1.28)**



4. This figure represents what category and subcategory of processing operations? Also, what is the name of this process?

**Shaping - solidification process ; casting (slide 1.35)**



5. This figure *best* represents what quantity of production? Also, what is the name of this type of production facility?

**Low production; job shop (slide 1.48)**

